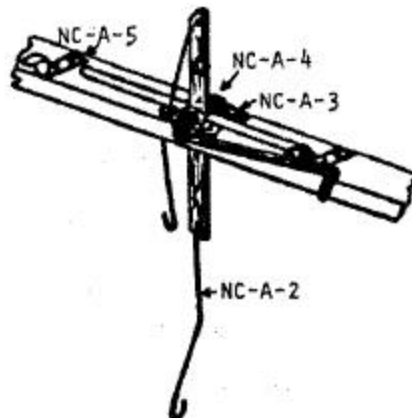
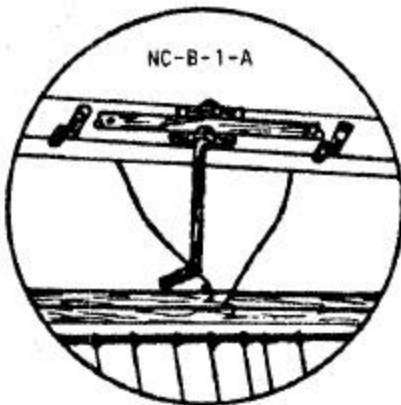
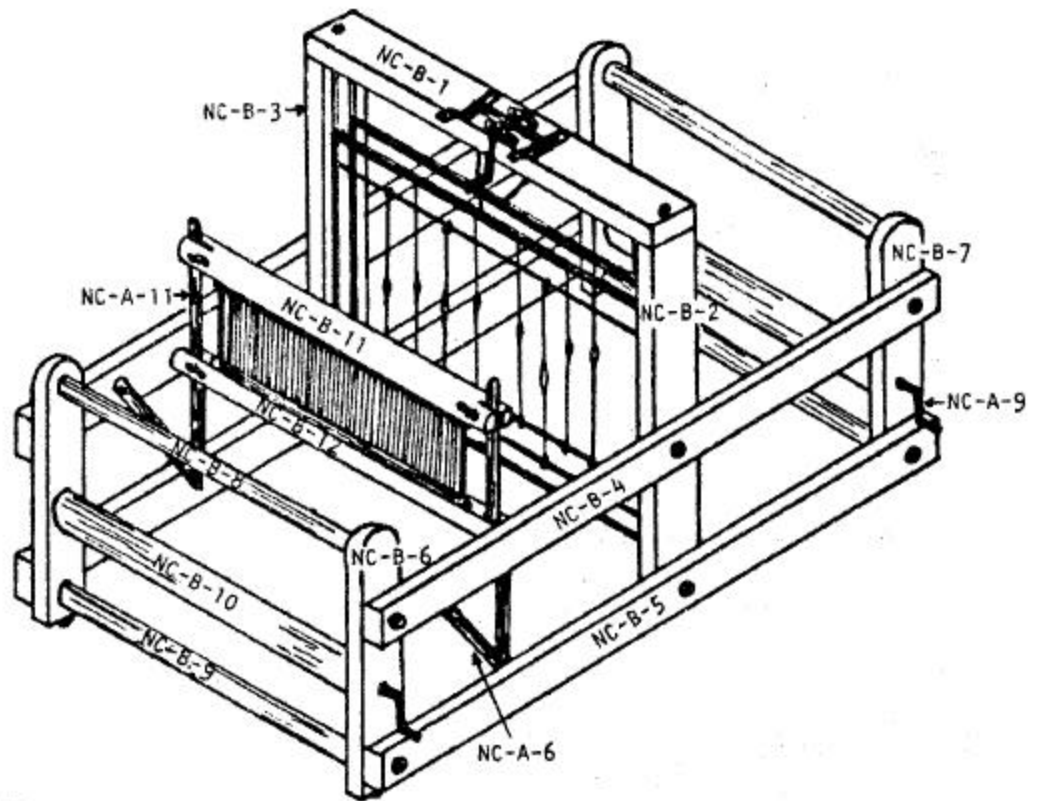


# NILEC



# NILEC

Please specify the dimension of the loom, 15" (38cm) or 15 3/4" (40cm) and give the serial number,

## WOOD

NC-B-1	Top cross-board
NC-B-1-A	Top cross-board with complete crank system
NC-B-2	Right upright post
NC-B-3	Left upright post
NC-B-9	Upper lateral cross-member
NC-B-S	Lower lateral cross-member
NC-B-6	Front, post
NC-B-7	Back .post
NC-B-8	Breast or thread beam
Nc-B-9	Round cross-member
NC-B-10	Cloth or warp beam with ratchet wheel
NC-B-11	Batten handtree
NC-B-12	Batten sley
NC-3639	Beam stick replacing the canvas apron)

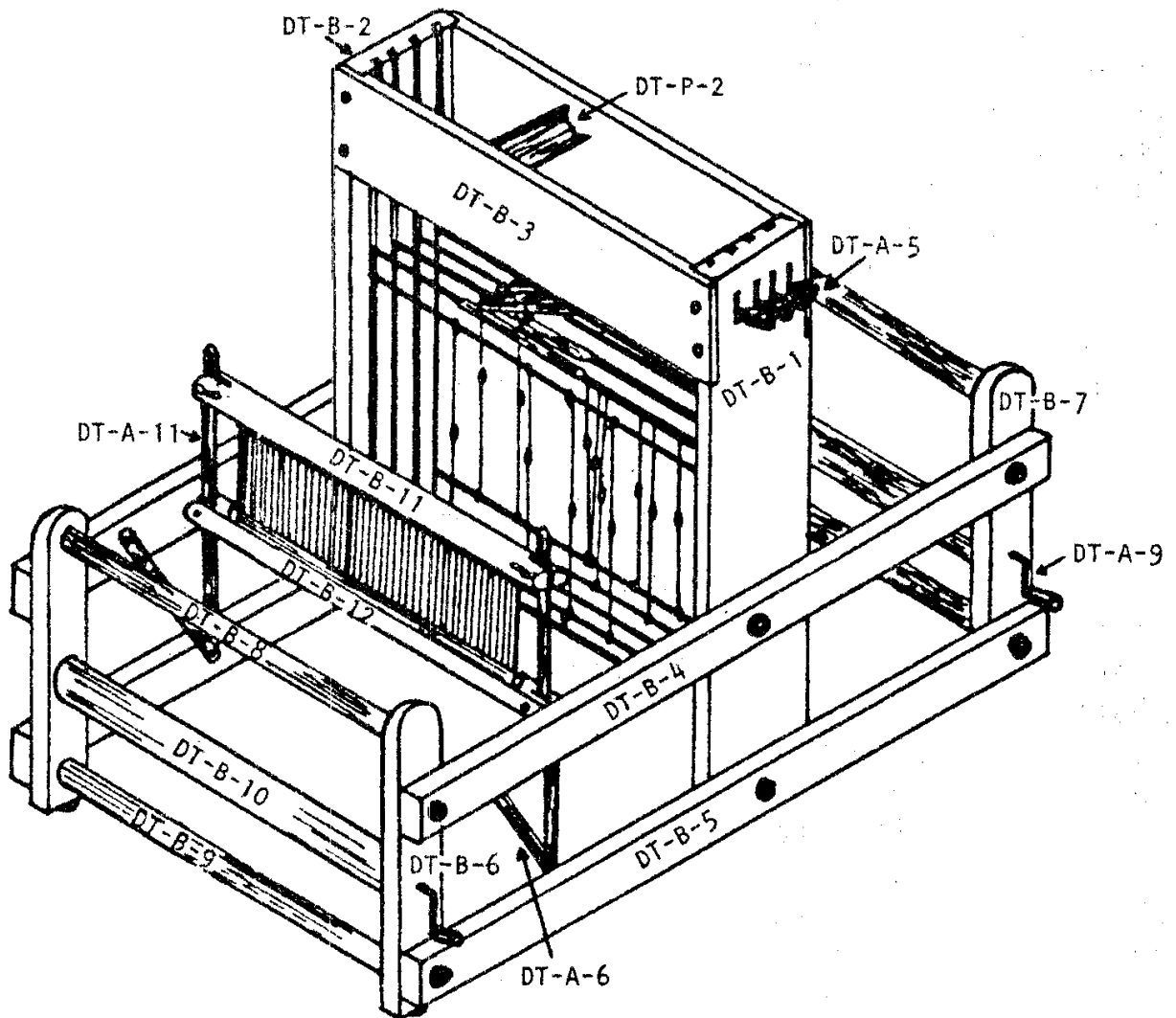
## METAL

NC-4139	Harness frame without heddle support
NC-422	Heddle support
NC-A-2	Hook connecting harness to lever
NC-A-3	Lever support
NC-A-4	Complete crank system with lever
NC-A-5	Lever stopper
NC-A-6	Book to keep r loom in open position
NC-A-7	Ratchet pawl for cloth beam (long)
NC-A-8	Ratchet pawl for cloth beam (short)
NC-A-9	Crank
NC-A-10	Shaft for left side of the beam
NC-A-11	Batten sword

## CAST-IRON

<b>NC-F-1</b>	<b>Ratchet wheel</b>
---------------	----------------------

# DOROTHY



# DOROTHY

Leclerc produced 2 different models of Dorothy. The old one is 15" weaving width and the shaft frame outside width is 16 1/16".

The newest one is 15 3/4" weaving width and the outside width of the shaft frame is 16 7/8"

## WOOD

DT-B-1	Upright, post, with openings for levers
DT-B-2	Upright post without opening
DT-B-3	Front or back upper board
DT-B-4	Upper lateral. cross?member
DT-B-5	Lower lateral cross?member
DT-B-6	Front post
DT-B-7	Back post
DT-B-8	Breast or thread beam
DT-B-9	Round cross?beam
DT-B-10	Cloth or warp beam with ratchet wheel.
DT-B-11	Batten handtree
DT-B-12	Batten sley
DT-3639	beam stick (replacing the canvas apron)

## METAL

DT-4139	Harness frame without heddle support
DT-422	heddle support
DT-A-3	Hook connecting harness to lever
DT-A-4	Shaft far lever catch
DT-A-530	Lever with white tab
DT-A-540	Lever with blue tab
DT-A-550	Lever with yellow tab
DT-A-560	Lever with red tab
DT-4079	Shaft for levers (with nylon spacers)
DT-A-6	Hook to keep loom in open position
DT-A-7	Ratchet pawl for cloth beam (long)
DT- A-8	Ratchet. pawl for cloth beam (short)
DT-A-9	Crank
DT-A-10	Shaft for left. side of the beam
DT-A-11	Batten sword

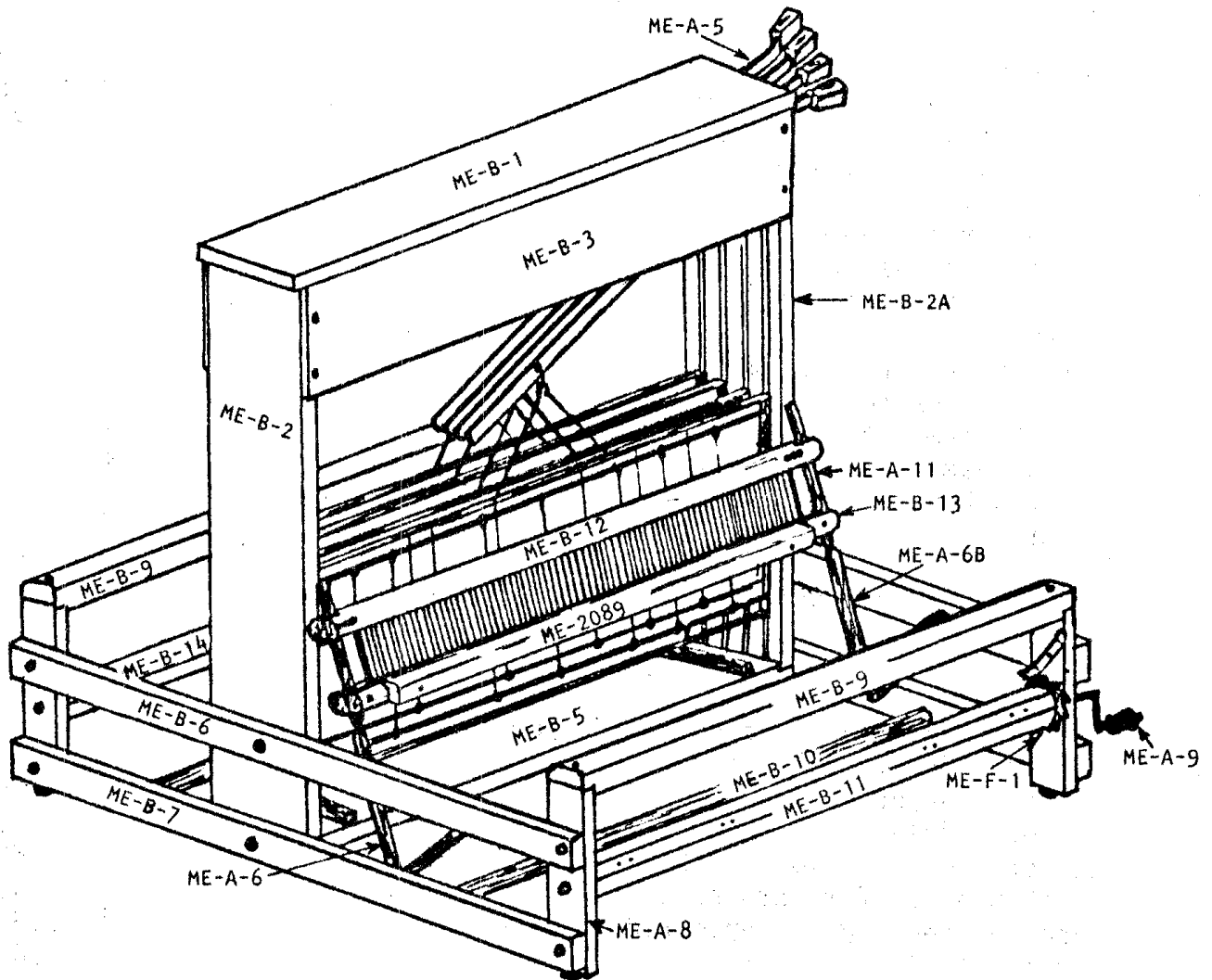
## CAST-IRON

DT-F-1	Ratchet wheel
--------	---------------

## PLASTIC

DT-P-2	Lever catch
DT-5102	White tab for lever

# MECO



# MECO

A **medico** is a loom like the meco but the levers are on the front right hand side.

## WOOD

ME-4131	Harness frame without heddle support
2320-4131	Harness frame assembled
ME-422	Heddle support
ME-4299	Upper heddle support hook
ME-4279	Lower heddle support hook
ME-A-16	V-shaped rod for harness frame
ME-4299	Hook connecting V-shaped rod to lever
ME-A-4	Shaft for lever catch
ME-A-530	Lever with white tab
ME-A-540	Lever with blue tab
ME-A-550	Lever with yellow tab
Mg-A-560	Lever with red tab
ME-A-6	Left hook to keep loom in open position
ME-A-6B	Brake lever ass. to right Hand side hook
ME-A-7	Ratchet pawl for cloth beam (long)
ME-A-8	Ratchet pawl for cloth beam (short)
ME-A-9	Crank
ME-A-10	Shaft for left side of the beam
ME-A-11	Batten sword
ME-A-12	Brake spring
ME-A-13	Brake wire extension (4 harnesses)
ME-4819	Brake wire extension (8 harnesses)
ME-A-14	Brake wire circle

## METAL

ME-4131	Harness frame without heddle support
2320-4131	Harness frame assembled
ME-422	Heddle support
ME-4299	Upper heddle support hook
ME-4279	Lower heddle support hook
ME-A-16	V-shaped rod for harness frame
ME-4299	Hook connecting V-shaped rod to lever
ME-A-4	Shaft for lever catch
ME-A-530	Lever with white tab
ME-A-540	Lever with blue tab
ME-A-550	Lever with yellow tab
Mg-A-560	Lever with red tab
ME-A-6	Left hook to keep loom in open position
ME-A-6B	Brake lever ass. to right Hand side hook
ME-A-7	Ratchet pawl for cloth beam (long)
ME-A-8	Ratchet pawl for cloth beam (short)
ME-A-9	Crank
ME-A-10	Shaft for left side of the beam
ME-A-11	Batten sword
ME-A-12	Brake spring
ME-A-13	Brake wire extension (4 harnesses)
ME-4819	Brake wire extension (8 harnesses)
ME-A-14	Brake wire circle

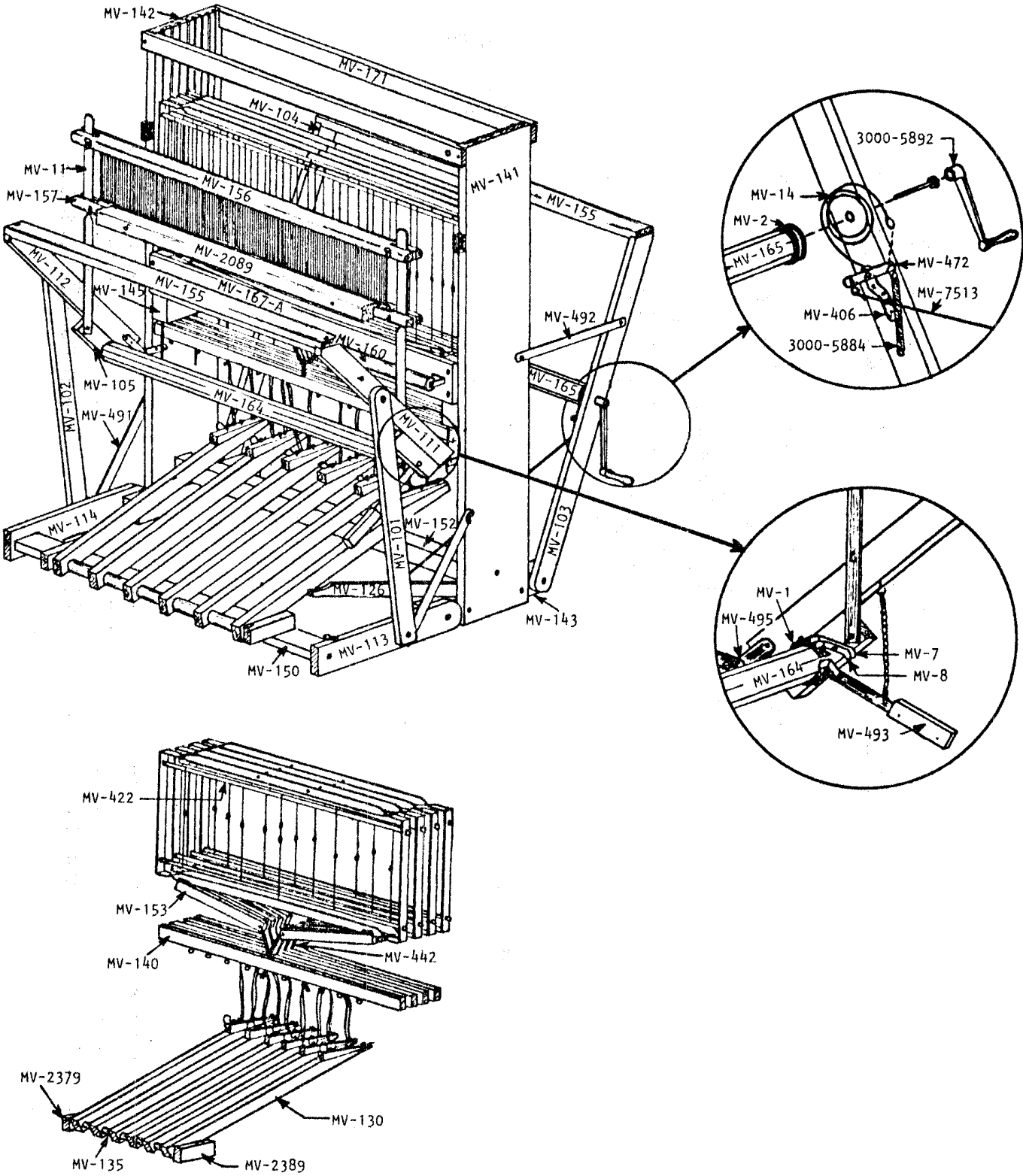
## CAST-IRON

ME-F-1	Ratchet wheel
ME-F-2	Brake drum

## PLASTIC

ME-P-2	Lever catch
ME-5102	White tab for lever
ME-5101	Blue tab for lever
ME-5104	Yellow tab for lever
ME-5103	Red tab for lever

# MINERVA



# MINERVA

## WOOD

MV-141	Right upright post
MV-142	Left upright post
MV-171	Upper cross-member
MV-143	Side base
MV-101	Right front post
MV-102	Left front post
MV-103	Right back post
MV-104	Left back post
MV-111	Right upper lateral cross-member
MV-112	Left upper lateral cross-member
MV-113	Right lower lateral cross-member
MV-114	Left lower lateral cross-member
MV-150	Treadle set cross-member
MV-152	Back cross-member
MV-155	Breast or thread beam
MV-105	Cloth beam support
MV-164	Cloth beam w/ratchet wheel and canvas apron
MV-165	Warp beam with brake drum
MV-156	Batten handtree
MV-157	Batten sley
MV-2089	Shuttle race
MV-167-A	Front jack box board
MV-167-B	Back jack box board
MV-145	Jack box end (right or left)
MV-160	Cloth roller
MV-153	Jacks (pair, assembled)
MV-140	Lam
MV-130	Treadle
MV-2389	Right treadle set support
MV-2379	Left treadle set support
MV-135	Treadle spacer
MV-126	Brake treadle
MV-3639	Beam stick (replacing the canvas apron)

## Metal

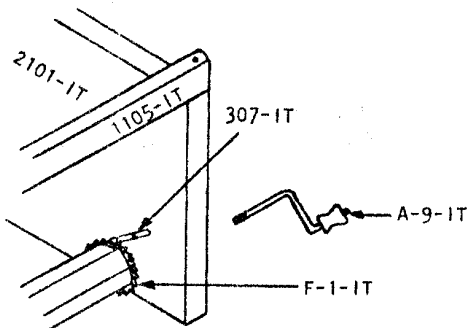
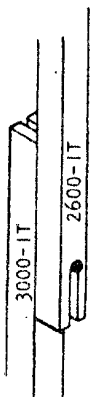
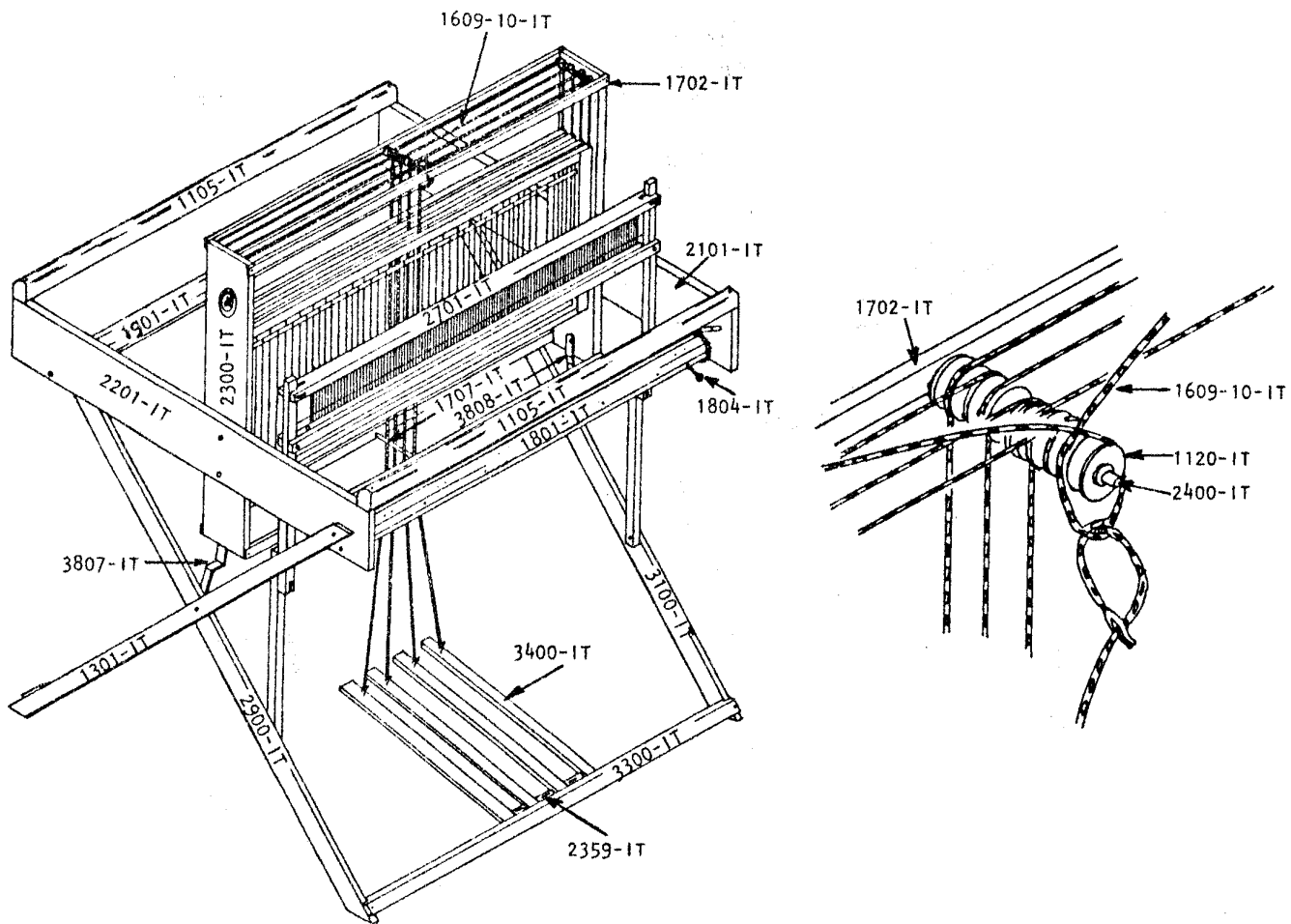
MV-4131	Harness frame without heddle support
3420-4131	Harness frame assembled
MV-422	Heddle support
MV-4299	Upper heddle support hook
MV-4279	Lower heddle support hook
MV-442	Jack iron-fitting
MV-429	Cloth roller support
MV-451	Jack axle rod
MV-452	Lam divider rod
MV-482-4	Treadle set; axle rod (4 harnesses)
MV-482-8	Treadle set axle rod (8 harnesses)
MV-491	Front hook to fold the loom
MV-492	Back hook to fold the loom
MV-495	Hinge
MV-493	Take up motion handle with ratchet pawl
MV-7	Ratchet pawl for. cloth beam (long)
MV-8	Ratchet pawl for cloth beam (short)
MV-10	Shaft for left side of the beam
MV-11	Batten sword
MV-14	Brake wire circle
MV-406	Strengthening piece for brake
MV-472	Brake lever
3000-5884	Brake spring

## CAST-IRON

MV-1	Ratchet wheel
MV-2	Brake drum
3000-5892	Crank



# INITIATION



# INITIATION

## WOOD

2300-IT	Upright post (right, or left)
2101-IT	Right lateral cross-member
2201-IT	Left lateral cross-member
3100-IT	Right front post
2900-I1	left front post
1301-IT	Back post (right or left)
3300-1T	Treadle set cross?member
1702-IT	Cross?member connecting upright posts
1105-IT	Breast or thread beam
1801-IT	Cloth beam with ratchet wheel
1901-IT	Warp beam with ratchet wheel
2600-IT	Batten sword
3000-IT	Batten sword extension
2701-IT	Batten handtree or batten sley
3700-IT	Harness frame without heddle support
1008-2600	Harness frame assembled
3400-IT	Treadle

## METAL

2503-IT	Heddle support
3808-IT	Right stabilizing iron?fitting
3807-IT	Left stabilizing iron?fitting
1804-IT	Rod with nylon ends (cloth beam)
307-IT	Ratchet pawl for cloth beam
A-9-IT	Crank
1704-IT	Pulley axle rod (right of left)
2400-IT	Middle pulley axle red (upper or lower)
1707-IT	Paper quill covering lower middle pulley axle rod
1502-IT	Treadle set axle rod

## CAST-IRON

F-1-IT Ratchet wheel

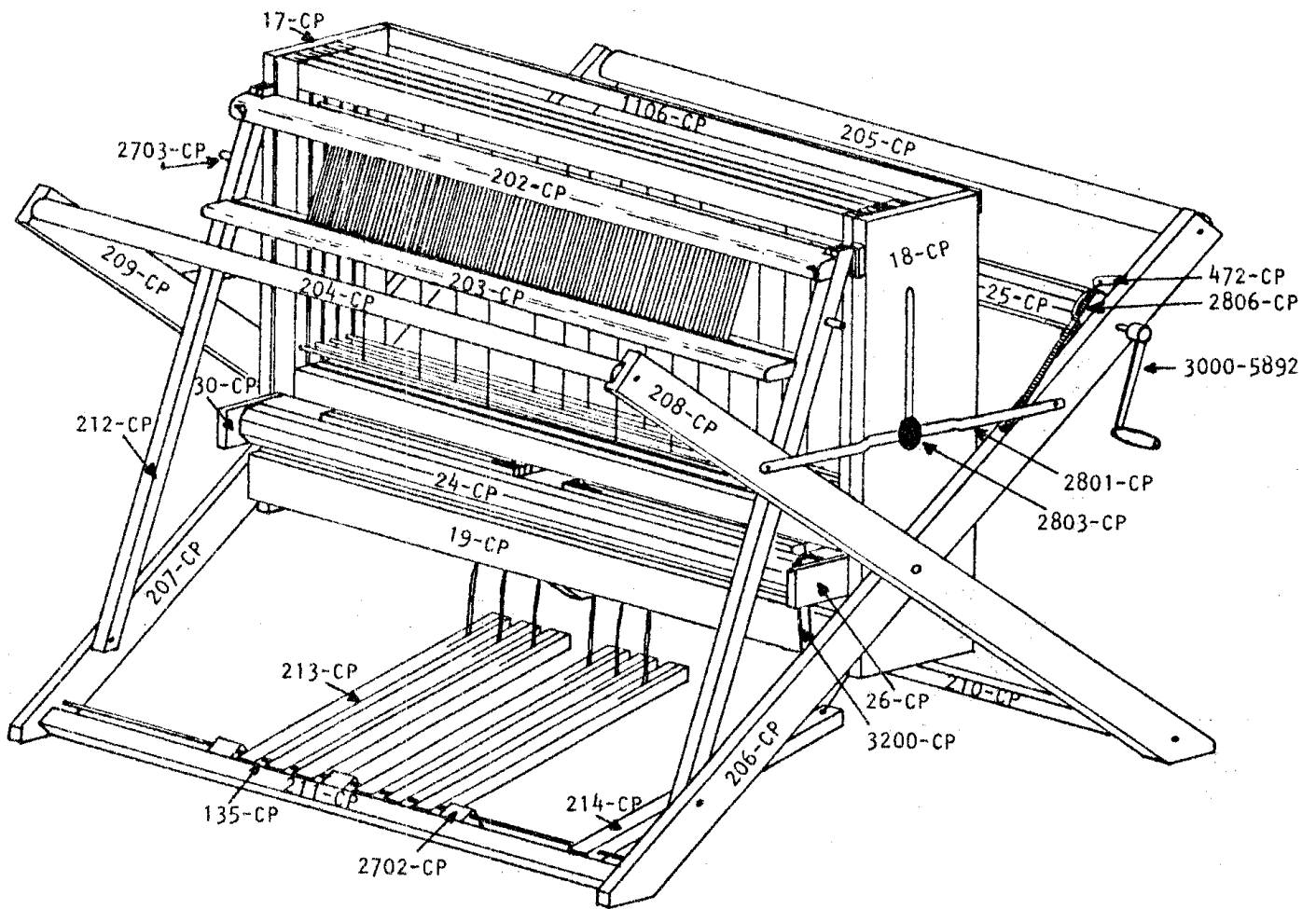
## PLASTIC

1120-IT Nylon pulley 1" dia.

## CORDS

1609-10-IT Loop cords (ass.) connecting pulleys to shaft frames and treadles  
(set of 4)

# COMPACT



# COMPACT 24"

## WOOD

18-CP	Right upright post (with harness guide)
17-CP	Left upright post (with harness guide)
1106-CP	Upper cross-member
206-CP	Right front post
207-CP	Left front post
208-CP	Right back post
209-CP	Left back post
211-CP	Treadle set cross-member
210-CP	Lower back cross-member
204-CP	Breast beam
205-CP	Thread beam
26-CP	Right cloth beam support (with bumper)
30-CP	Left cloth beam support (with bumper)
24-CP	Cloth beam with ratchet wheel
25-CP	Warp beam with brake drum
212-CP	Batten sword
2703-CP	Stop peg on batten sword
202-CP	Batten handtree
203-CP	Batten sley
22-CP	Harness frame without heddle support
1101-CP	Jack box board (front or back)
19-CP	Jacks assembled to lam (longer iron-fittings for harn. 1-2)
20-CP	Jacks assembled to lam (long iron-fitting for harness 3-4)
135-CP	Jack spacer
2549-CP	Jack spacer (short)
2702-CP	Treadle set support
213-CP	Treadle
135-CP	Treadle spacer
214-CP	Brake treadle
1405-CP	Beam stick (replacing the canvas apron)

## METAL

422-CP	Heddle support
1203-CP	Upper heddle support hook
423-CP	Lower heddle support hook
1102-CP	Jack axle rod
215-CP	Treadle set axle rod
2801-CP	Iron-fitting connecting posts to upright post
1706-CP	Sliding plate receiving side handle
3200-CP	Take-up motion handle
2404-CP	Beam shaft
2908-CP	Beam machine bolt for crank
307-CP	front beam ratchet pawl
406-CP	Strengthening piece for brake
14-CP	Brake wire circle
472-CP	Brake lever
2806-CP	Brake spring

## CAST-IRON

2502-CP	Brake drum
2402-CP	Ratchet wheel
3000-5892	Crank

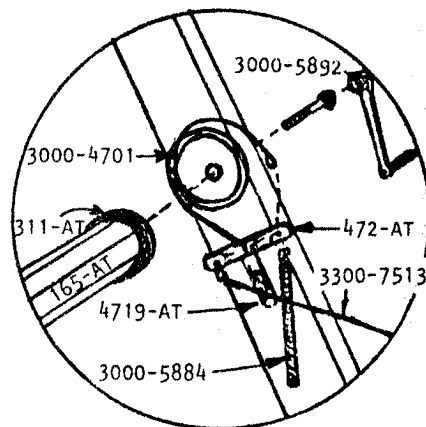
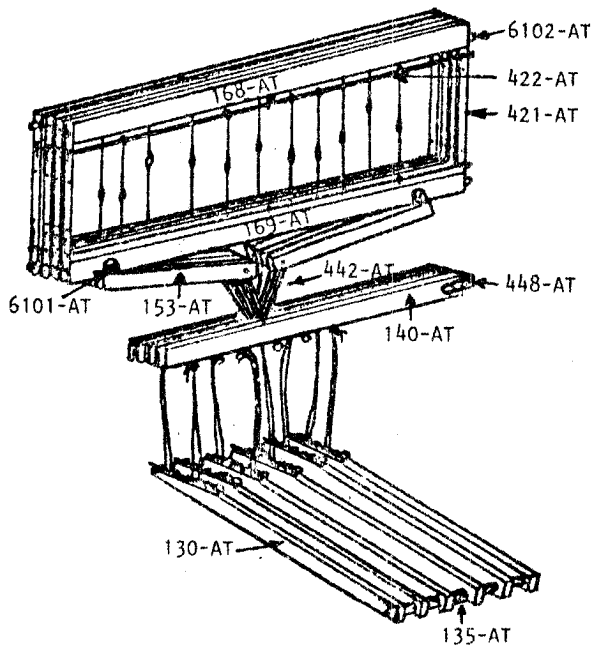
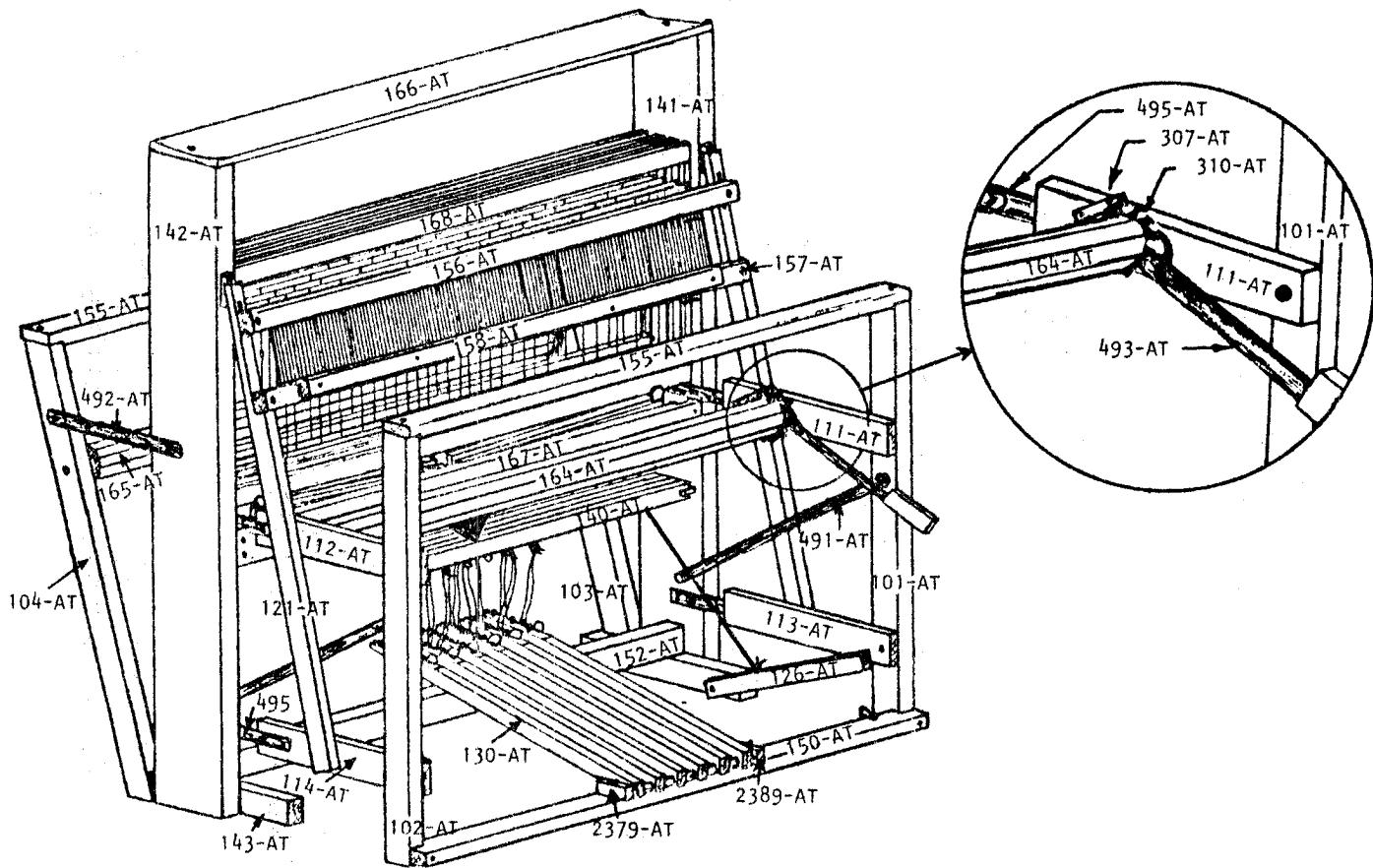
## PLASTIC

2803-CP	Side handle
2804-CP	Post iron-Fitting spacer
9259-CP	Beater bumper (upright post)
3300-9239	Sub-harness bumper
1702-CP	Harness guide

## CORDS

1022-2808	Brake cord
-----------	------------

# ARTISAT



# ARTISAT 36"

## WOOD

141-AT	Right upright post
142-AT	Left upright post
143-AT	Right or left side base
166-AT	Castle top
101-AT	Right front post
102-AT	Left front post
103-AT	Right back post
104-AT	Left back post
111-AT	Right upper lateral cross-member
112-AT	Left upper lateral cross-member
113-AT	Right lower lateral cross-member
114-AT	Left lower lateral cross-member
152-AT	Middle lower cross-member
150-AT	Treadle set cross-member
155-AT	Breast or thread beam
164-AT	Cloth beam w/ratchet wheel and canvas apron
165-AT	Warp beam with brake drum
121-AT	Batten sword
156-AT	Batten handtree
157-AT	Batten sley
158-AT	Shuttle race
4500AT	Harness frame (w/o heddle support)
1009-4000	Harness frame assembled
168-AT	Harness upper part
169-AT	Harness lower part
167-AT	Jack box board (front or back)
145-AT	Jack box end (right, or left)
153-AT	Jacks (pair, assembled)
140-AT	Lam
2389-AT	Right treadle set support
2379-AT	Left treadle set support
130-AT	Treadle
135-AT	Treadle spacer
126-AT	Brake treadle
3639-AT	Beam stick 36" (90 cm)

## METAL

421-AT	Harness frame ends (pair)
4249-AT	Spring clip for harness frame end
422-AT	Heddle support
55-AT	Spring hook for heddle support
442-AT	Jack iron-fitting
451-AT	Jack axle rod
448-AT	Lam support
482-AT	Treadle set axle rod
4409-AT	Take-up motion handle support
493-AT	Take-up motion handle with ratchet pawl
3000-4701	Flat steel brake circle
4719-AT	Stengthening piece for brake
472-AT	Brake lever
3000-5884	Brake spring
480-AT	Shaft for left side of the beam
491-AT	Front hook to fold the loom
492-AT	Back hook to fold the loom
495-AT	Hinge (upper'or lower)
3000-4521	Treadle hooks (set of 6)
307-AT	Front beam ratchet pawl

## ARTISAT 36 (cont.)

### CAST-IRON

311-AT Brake drum  
310-AT Ratchet wheel  
3000-5892 Crank

### PLASTIC

6101-AT Jack glide (harness guide)  
6102-AT Nylon for harness frame end  
1109-AT Stopper for brake treadle  
3300-9239 Beater bumper (upright post)  
3000-9219 Sub-harness bumper

### CORDS

3300-7513 Brake cord  
3000-7011 Treadle cords (set of 12)  
7719-AT Cord for beam 10 yards (9 m)

### ARTISAT 8S

1311-AT Right upright post  
1321-AT Left upright post  
1363-AT Right side base  
1373-AT Left side base  
1481-AT Right jack box end (+ rods & bumper)  
1461-AT Left jack box end (+ rods & bumper)  
1399-AT Jack spacer  
1339-AT Lam 36" (90 cm)  
1353-AT Treadle with extension  
1479-AT Treadle extension

### METAL

1639-AT Jack axle rod  
1709-AT Eyelet bolt with nut for jack iron-fitting  
461-AT Back hook to fold the loom  
1629-AT Treadle set axle rod  
3501-4521 Treadle hooks 9" (23cm) (set of 10)

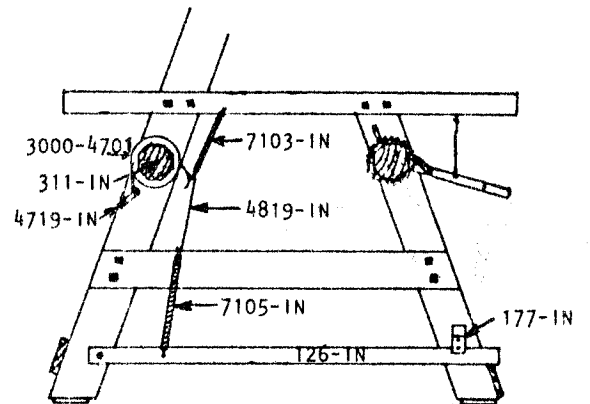
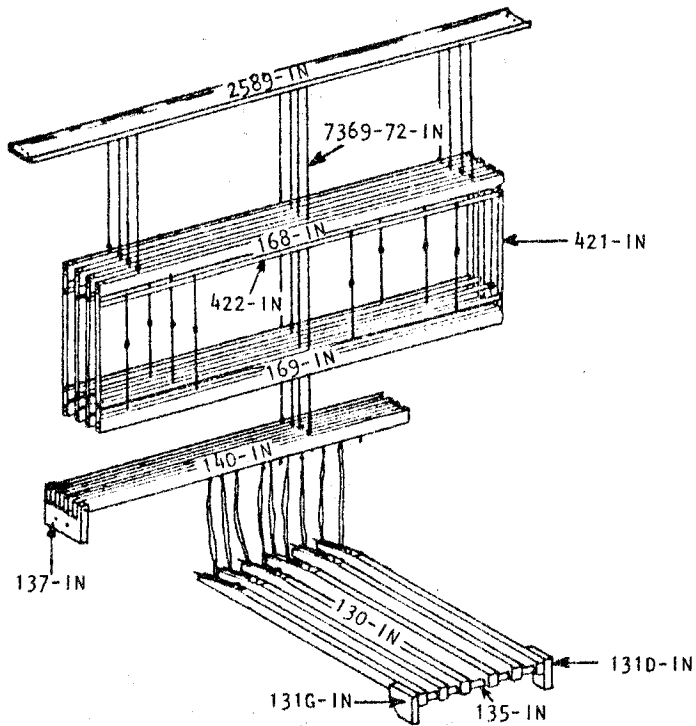
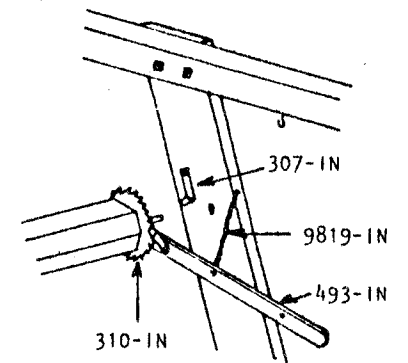
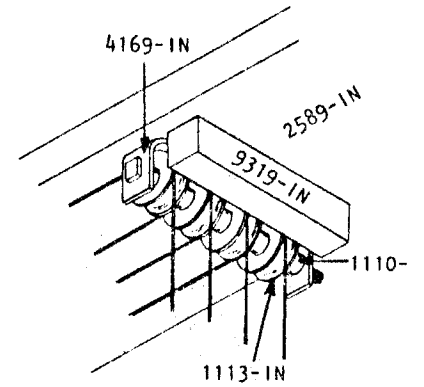
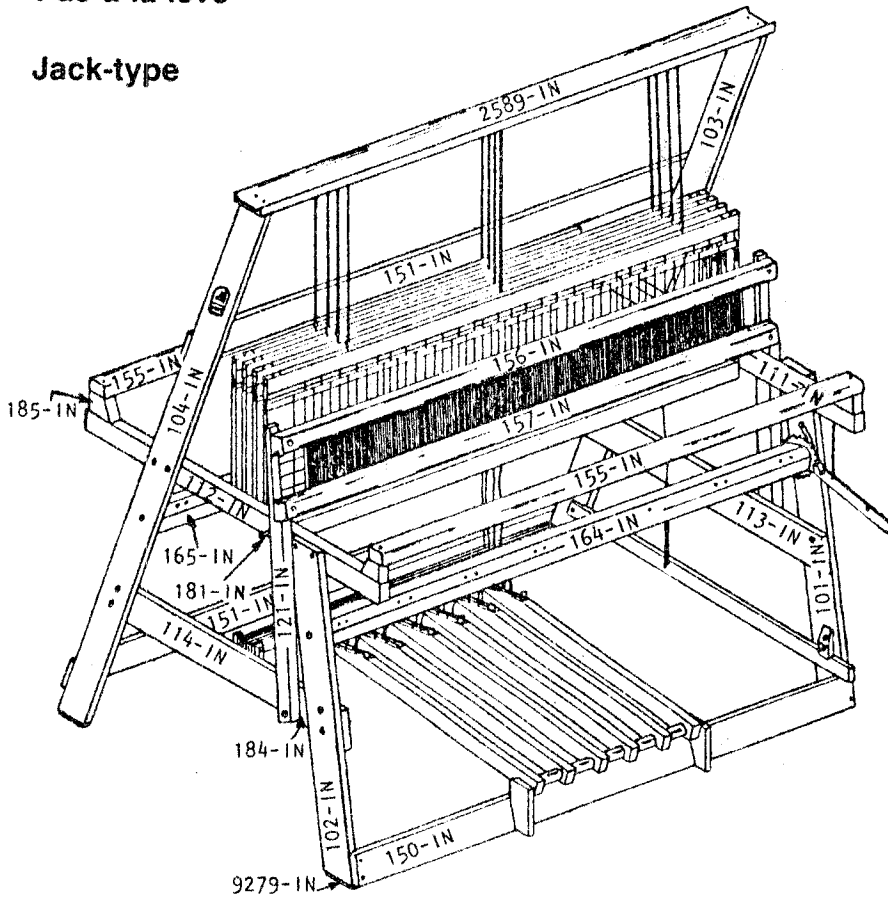
### PLASTIC

1929-AT Rubber bumper for lam divider

# INCA

Pas à la lève

Jack-type

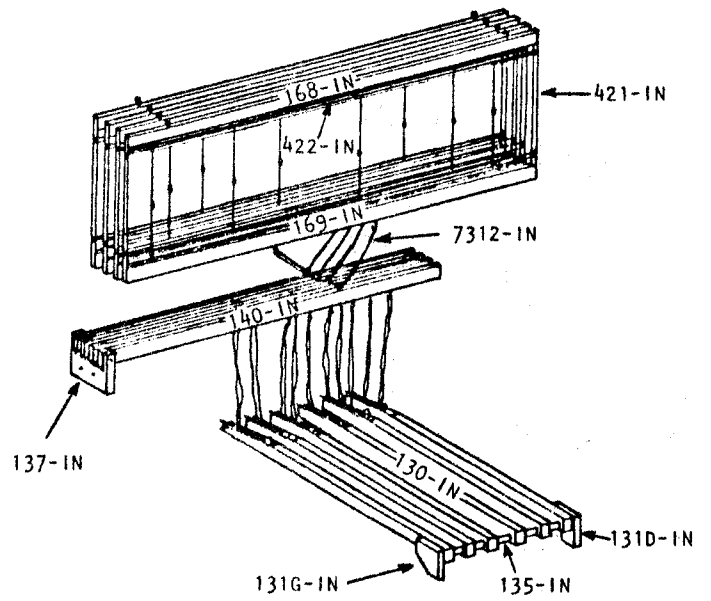
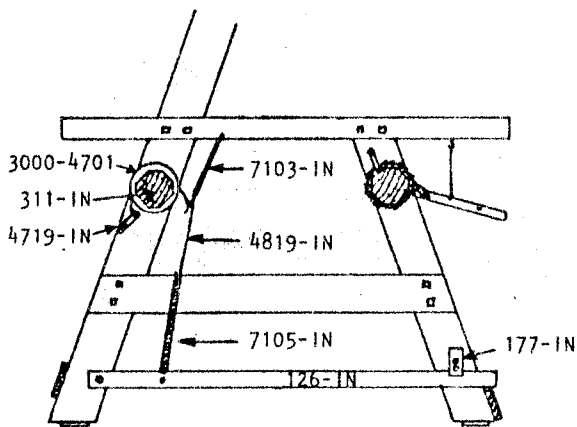
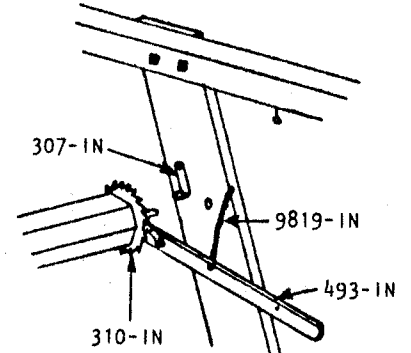
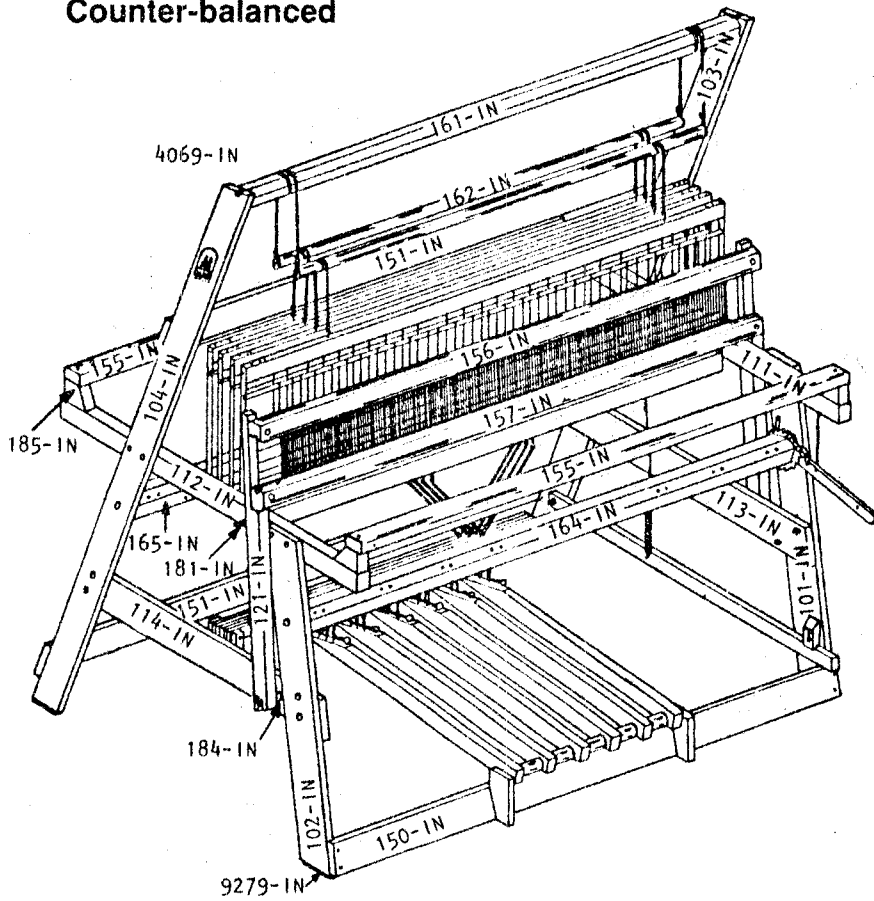




# INCA

Contre-balancé

Counter-balanced



# INCA 36"

-103-IN	Right upright post
104-IN	Left upright post
2589-IN	Castle top      Jack-type
101-IN	Right front post
102-IN	Left front post
111-IN	Right upper lateral cross-member
112-IN	Left upper lateral cross-member
181-IN	Stop peg for beater
113-IN	Right lower lateral cross-member
114-IN	Left lower lateral cross-member
151-IN	Back cross-member
150-IN	Treadle set, cross-member
185-IN	Breast or thread beam support
155-IN	Breast or thread beam
164-IN	Cloth beam with ratchet wheel (without apron)
165-IN	Warp beam with brake drum
121-IN	Batten sword
184-IN	Batten sword spacer
156-IN	Batten handtree
157-IN	Batten sley
161-IN	Upper roller (w/o rod)    Counter-Balance
162-IN	Lower roller (w/o pulley) Counter-balance
168-IN	Harness upper part
169-IN	Harness lower part
137-IN	Lam support
140-IN	Lam
131D-IN	Right treadle set support
1316-IN	Left treadle set support
130-IN	Treadle (with eyelets)
135-IN	Treadle spacer
126- IN	Brake treadle
177-IN	Stopper for brake treadle
191-IN	Beam stick (replacing the canvas apron)
<b>Metal</b>	
4249-IN	Spring clip for harness frame end
422-IN	Heddle support
423-IN	Hook for heddle support
427-IN	Hook for harness frame
4069-IN	Shaft for upper roller (Counter-balanced)
4169-1N	Pulley iron?fitting (Jack-type)
482-IN	Treadle set axle rod
493-IN	Take-up motion handle with ratchet pawl
307-IN	Front beam ratchet pawl
3000-5892	Crank
480-IN	Shaft for left side of the beam
4719-IN	Strenthening piece for brake
3000-4701	Flat steel brake circle
4819-IN	Brake wire extension
7103-IN	Brake spring (small)
7105-IN	Brake spring (large)
3000-4521	Treadle hooks (set of 6)

## INCA 36" (cont.)

### Cast-iron

310-IN Ratchet wheel  
311-IN Brake drum

### Plastic

3300-9239 Beater bumper  
9279-IN Polyvinyl under-post  
1113-IN Nylon pulley  
1110-IN Pulley spacer  
9319-IN Rubber to prevent the cords slipping out from the pulleys

### CORDS

7112-IN Upper roller cords (set/2) Counter-Balance  
7122- IN Lower roller cords (set/4) Counter-Balance  
1035-0000 Loop cords for roller (set/6) Counter-Balance  
7312-IN Cords connecting lams to harnesses (set/4) Counter-Balance  
7369-72-IN Loop cords (ass.) connecting lams to harn.(set/4) Jack  
9819-IN Loop cord for take-up motion handle

## INCA 8S

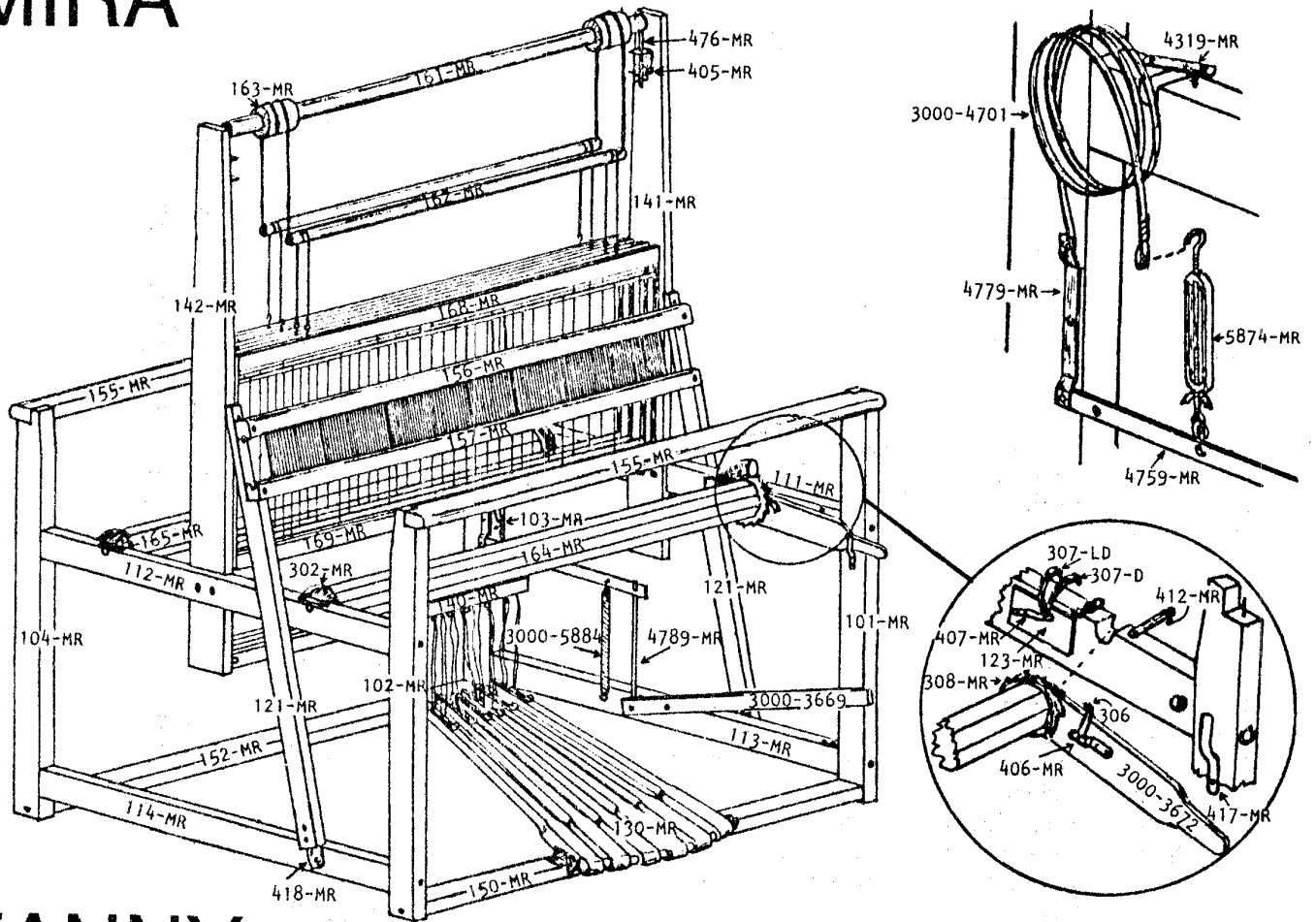
### WOOD

6349-IN Cross-member for pulley frame (long)  
6389-IN Lateral cross-member for pulley frame (,port)  
6409-INS trengthening piece for pulley frame  
6379-IN Lam divider cross-member  
6399-IN Lam divider post  
6429-TN Lam divider spacer  
6339-IN Floating lam  
6869-IN Treadle extension

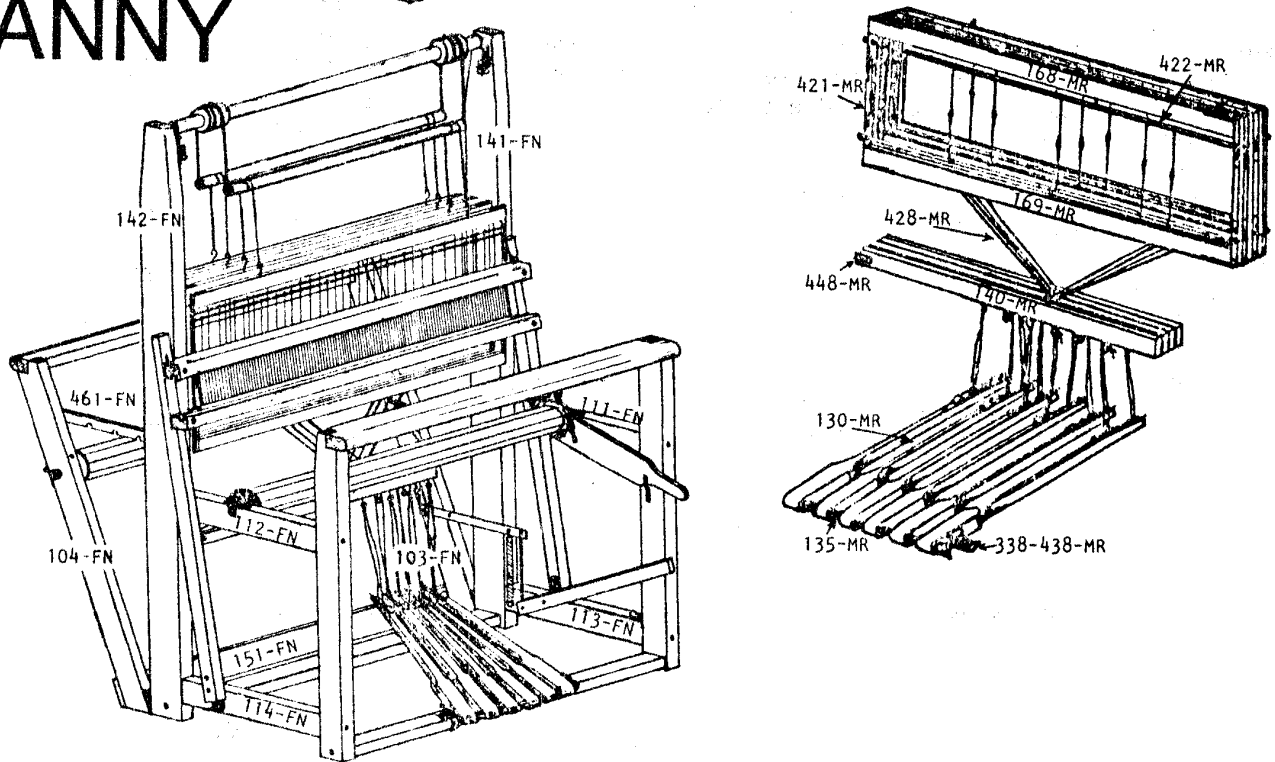
### METAL

6649-IN Pulley axle rod  
6639-IN Rod gor lam divider  
6629-IN Treadle set axle rod

# MIRA



# FANNY



# MIRA - FANNY 36", 45" or 60"

## MIRA-FANNY

161-FN-MR	Upper roller (+ sockets & threaded rod)
162-FN-MR	Lower roller (+ plastic pulleys)
163-FN-MR	Upper roller socket
168-FN-MR	Harness upper part
189-FN-MR	Harness lower part
140-FN-MR	Lam
130-FN-MR	Treadle
135-FN-MR	Treadle spacer
123-FN-MR	Board to center ratchet pawls
3000-3672	Take-up motion handle with ratchet pawl
126-FN-MR	Brake treadle (old model using brake cord)
3000-3669	Brake treadle (new model)

## METAL

405-FN-MR	Roller support
476-FN-MR	Adjustment threaded rod (upper roller)
421-FN-MR	Harness frame ends (pair)
4249-FN-MR	Springy clip for. harness frame end
422-FN-MR	Heddle support
423-FN-MR	Hook for heddle support
427-FN-MR	Hook for harness frame
428-FN-MR	V?shaped rod for harness frame
448-FN-MR	Lam support
338-438FN-MR	Treadle set axle rod assembled to supports
406-FN-MR	Strengthening piece for take-up motion handle
407-FN-MR	Strengthening piece for ratchet pawls
417-FN-MR	Take?up motion handle support
412-FN-MR	Beam latch
4319-MR	Beam latch (buck)
3000-4701	Flat steel brake circle
403-FN-MR	Steel brake wire
4779-FN-MR	Strengthening piece for brake
4759-FN-MR	Brake lever
584-FN-MR	Brake turnbuckle
3000-5884	Brake springy
4789-Fn-MR	Rod connecting brake treadle to brake lever
418-FN-MR	Iron-fitting for batten sword
3000-4521	Treadle hooks (set of 6)

## CAST-IRON

302-FN-MR	Plain wheel
303-FN-MR	Brake drum

## FANNY

### WOOD

141-FN	Right upright post (w/o roller support)
142-FN	Left upright post (w/o roller support)
103-FN	Right back post w/o beam latch)
104-FN	Left back post (w/n beam latch)
111-FN	Right. upper lateral cross-member (without latch,
112-FN	Left upper lateral cross.-member (without latch)
113-FN	Right lower lateral cross-member
114-FN	Left, lower lateral cross-member
151-FN	Lower cross-member connecting back posts

(For the other parts see MIRA land FANNY)

### METAL

461-FN	Hook to fold back of the loom
--------	-------------------------------

# MIRA - FANNY 36", 45" or 60" (cont.)

## MIRA - FANNY

### WOOD

141-MR	Right upright post (w/o roller support)
142-MR	Left upright post (w/o roller support)
101-FN-MR	Right front post
102-FN-MR	Left front post
103-MR	Right back post
104-MR	Left back post
111-MR	Right upper lateral cross-member (without latch)
112-MR	Left upper lateral cross-member (without latch)
113-MR	Right lower lateral cross-member
114-MR	Left lower lateral cross-member
150-FN-MR	Treadle set cross-member
152-FN-MR	Back cross-member
155-FN-MR	Breast or thread beam
164--FN-MR	Cloth beam w/ wheels & canvas apron
165-FN-MR	Warp beam with wheels
121D-FN-MR	Right batten sword (with iron-fitting)
1216-FN-MR	Left batten sword (with iron-fitting)
156-FN-MR	Batten handtree
157-FN-MR	Batten sley

### Cast-iron

308-FN-MR	Ratchet wheel
3000-5862	Crank
306-FN-MR	Ratchet pawl for take-up motion handle
307D-FN--MR	Ratchet pawl for cloth beam (short)
307LD-FN-MR	Ratchet pawl for cloth beam (long)

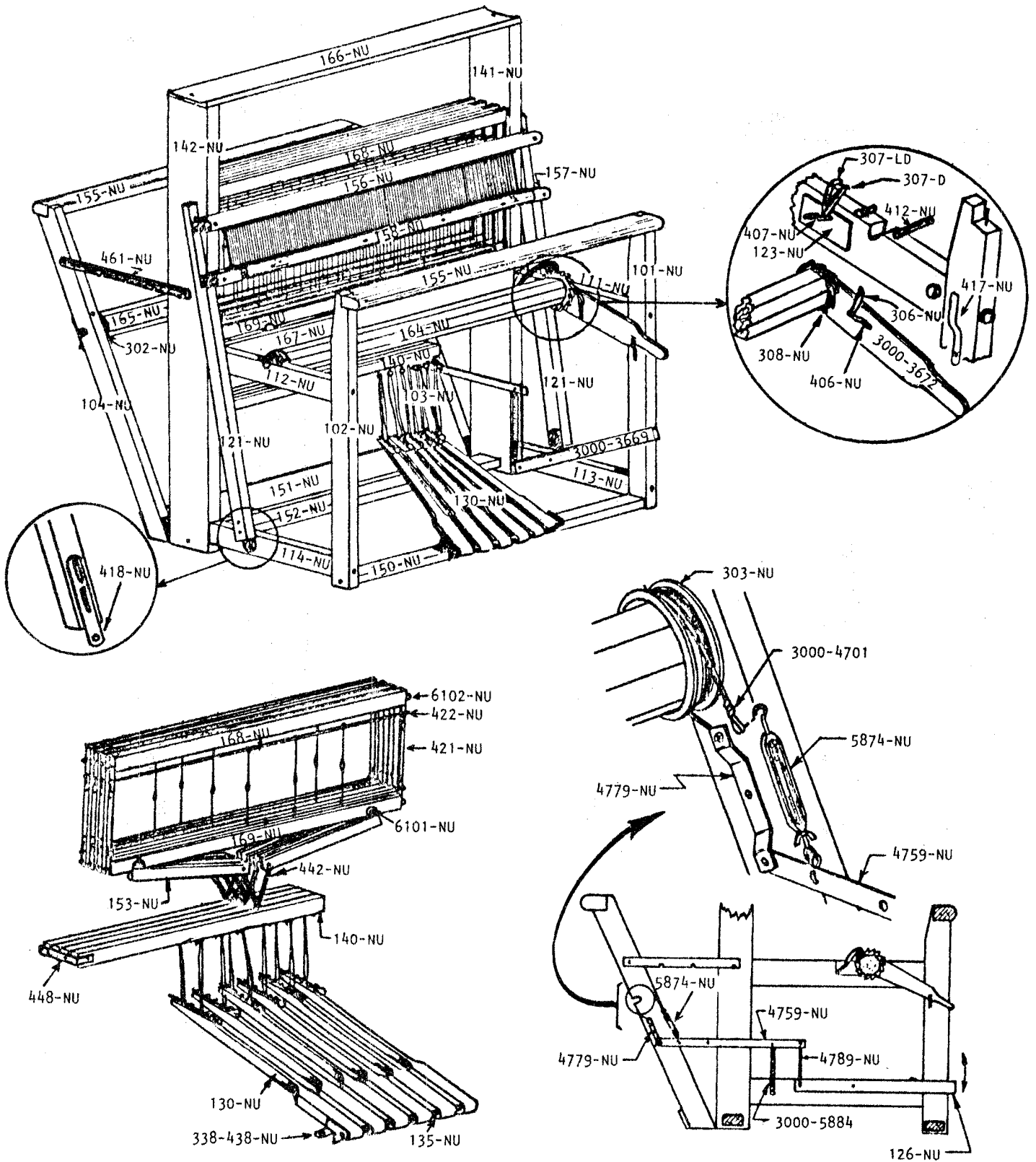
### Plastic

1109-FN-MR	Stopper for brake treadle
3000-9229	Beater bumper (upright post)

### CORDS

4000-7113	Upper roller cords (set of 2)
3000-7123	Lower roller cords (set of 4)
1035-0000	Loop cords for rollers (set of 6)
3000-7519	Brake cord
3000-7011	Treadle cords (set of 12)

# NILUS



# NILUS 36", 45" or 60"

## WOOD

141-NU	Right upright post
142-NU	Left upright pest
166-NU	Castle top
101-NU	Right front post
102-NU	Left front past
103-NU	Right back post (w/o beam latch)
104-NU	Left back post. (w/n beam latch)
111-NU	Right upper lateral cross-member (without latch)
112-NU	Left upper lateral cross-member (whithout latch)
113-NU	Right lower lateral cross-member
114-NU	Left lower lateral cross-member
150-NU	Treadle set, cross-member
152-NU	Middle lower cross.-member
151-NU	Lower cross-member connecting back posts
155-NU	Breast or thread beam
164-NU	Cloth beam w/ wheels & canvas apron
165-NU	Warp beam with wheels
121D-NU	Right batten sword (with iron-fitting)
1216-NU	Left batten sword (with iron-fitting)
156-NU	Batten handtree
157-NU	Batten sley
158-NU	Shuttle race
168-NU	Harness upper part
168-NU	Harness lower part
167-NU	Jack box board (front and back)
2489-NU	Jack box end (right or left)
153-NU	Jacks (pair, assembled)
140-NU	Lam
130-NU	Treadle
135-NU	Treadle spacer
123-NU	Board to center ratchet pawls
3000-3672	Take-up motion handle with ratchet pawl
126-NU	Brake treadle (old model using brake cord)
3000-3669	Brake treadle (new model)

## METAL

421-NU	Harness frame ends (pair)
4249-NU	Spring clip far harm frame ends
422-NU	Heddle support
55-NU	Spring hank for peddle support
423-NU	Hook for peddle, support
442-NO	Jack iron fitting
451-NU	Jack axle rod
448-NU	Lam support
338-438-NU	Treadle set axle rod assembled to supports
406-NU	Strengthening piece for take-up motion handle
407-NU	Strengthening piece for ratchet pawls
417-NU	Take-up motion handle support
412-NU	Beam latch
3000-47O1	Flat steel brake circle
403-NU S	teel brake wire
4779-NU	Strengthening piece for brake
4759-NU	Brake lever
5874-NU	Brake turnbuckle
3000-5884	Brake spring



## NILUS 36", 45" or 60" (cont.)

### METAL

4789-NU	Rod connecting brake treadle to brake lever
461-NU	Hook to fold back of the loom
418-NU	Iron-fitting for batten sword
3000-4521	Treadle hanks (set of 6)

### CAST-IRON

302-NU	Plain wheel
303-NU	Brake drum
308-NU	Ratchet wheel
3000-5862	Crank
306-NU	Ratchet pawl for take-up motion handle
307D-NU	Ratchet pawl far cloth beam (short)
307LD-NU	Ratchet pawl far cloth beam (long)

### PLASTIC

6101-NU	Jack glide (harness guide)
6102-NU	Nylon for hardens frame end
1109-NU	Stopper far brake treadle
5000-9229	Beater bumper (upright post)
3000-9219	Sub-harness bumper

### Cord

3000-7519	Brake card
3000-7011	Treadle cords (set of 12)

## NILUS 8S

### WOOD

2311-NU	Right upright post with ,lack box end
2321-NU	Left upright post with ,lack box end
2331-NU	Lam
2122-NU	Lam divider
1399-NU	Jack spacer
2419-NU	Treadle set support,
2392-NU	Treadle with extension
2439-NU	Treadle extension
135-NU	Treadle spacer
2429-NU	Brake treadle

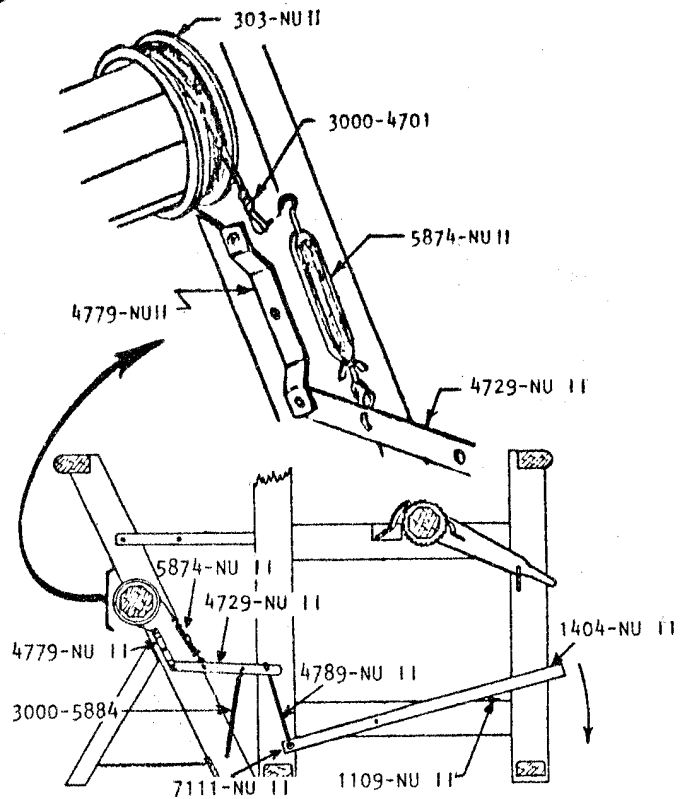
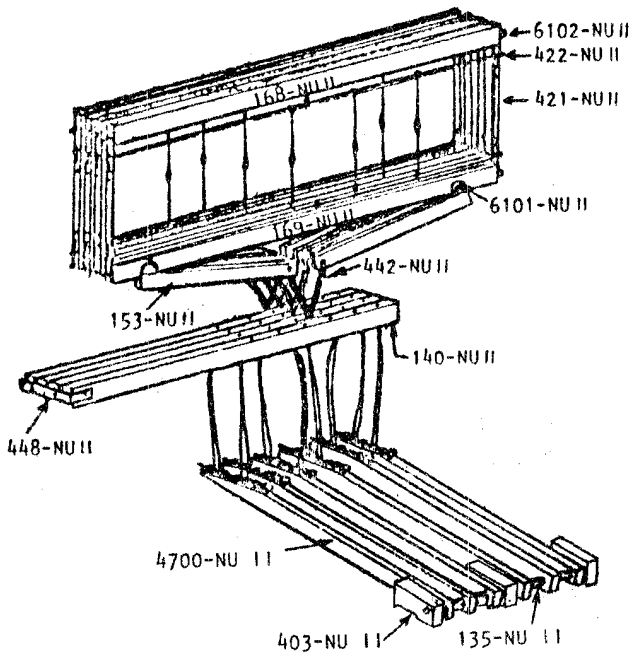
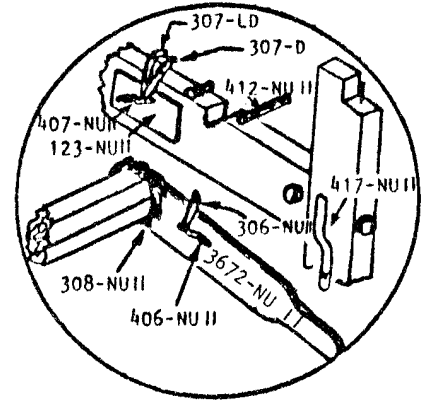
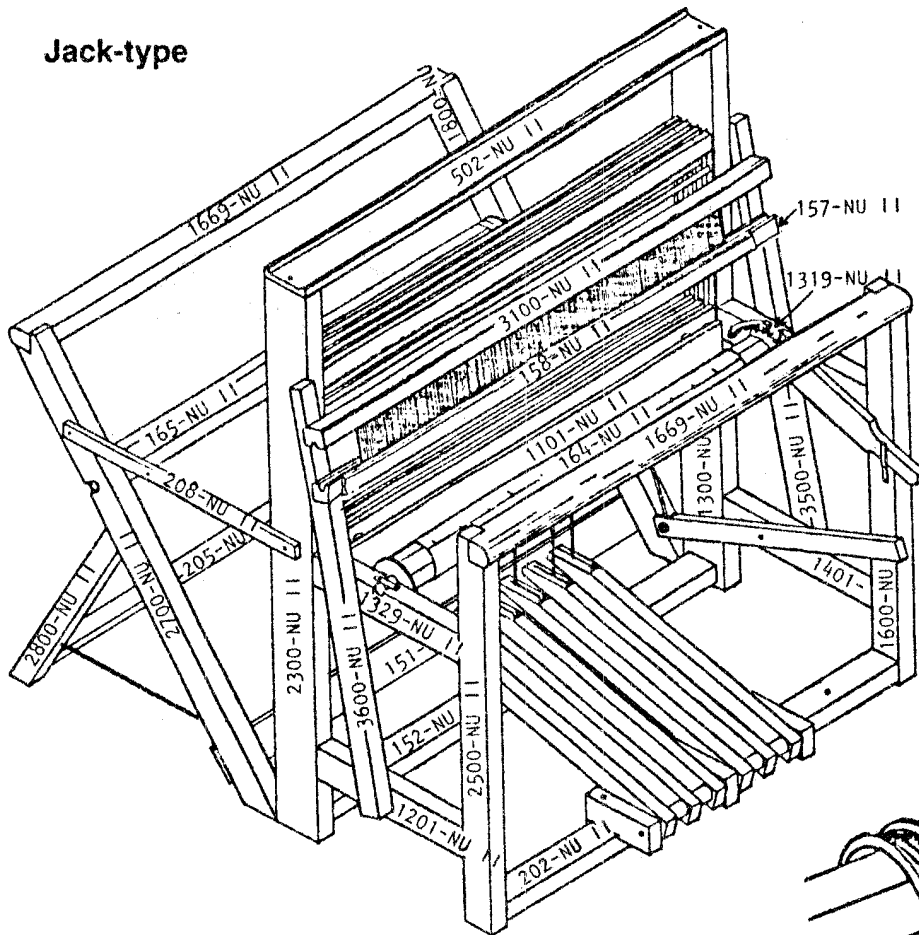
### METAL

1639-NU	Jack axle rod
2639-NU	Treadle set axle rod
2649-NU	Brake lever
3501-4521	Treadle hooks 9" (23cm) (set of 10)

# NILUS II

Pas à la lève

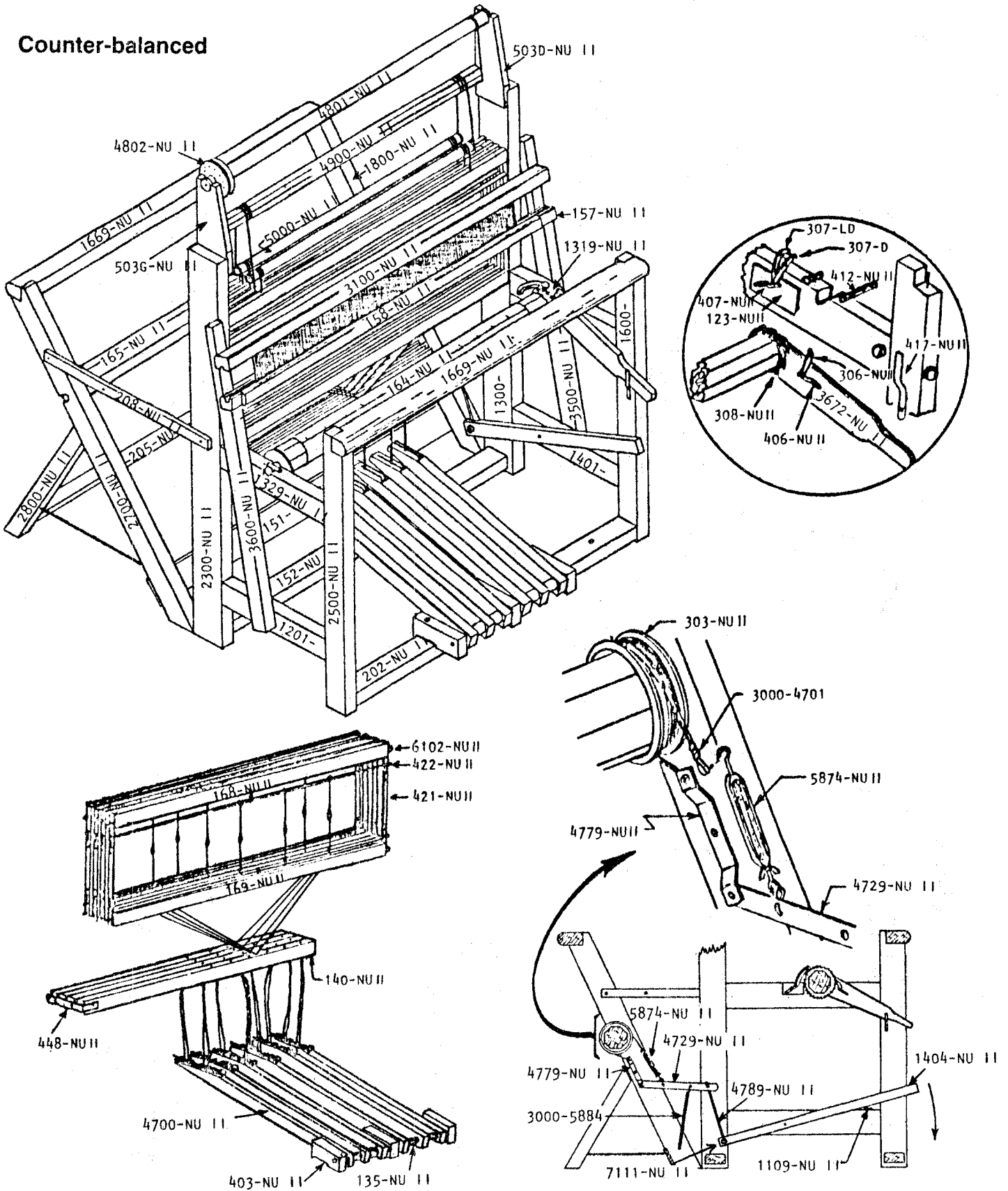
Jack-type



# NILUS II

Contre-balancé

Counter-balanced



## NILUS II 36", 45" or 60"

1300-NU II	Right upright post
2300-NU II	Left upright post
502-NU II	Castle top Jack-type
1600-NU II	Right front post
2500-NU II	Left front post
1800-NU II	Right back post (w/o beam latch)
2700-NU II	Left back post (w/o beam latch)
1900-NU II	Right stabilizing post
2800-NU II	Left stabilizing post
1319-NU II	Right upper lateral cross-member (without latch);
1329-NU II	Left upper lateral cross-member (whithout latch)
1401-NU II	Right lower lateral cross-member
1201-NU II	Left lower lateral cross-member
202-NU II	Treadle set, cross-member
152-NU II	Middle lower cross-member
151-NU II	Lower cross-member connecting back posts
205-NU II	Cross-member connecting stabilizing posts
1669-NU II	Breast or thread beam
164-NU II	Cloth beam w/ wheels & canvas apron
165-NU II	Warp beam with wheels
3500-NU II	Right batten sword (with metal peg)
3600-NU II	Left batten sword (with metal peg)
3100-NU II	Batten handtree
157-NU II	Batten sley
158-NU II	Shuttle race
503U-NU II	Right roller support
5036-NU II	Left roller support C.B.
4801-NU II	Shed regulator roller (w/ pulley) C.-B.
4802-NU II	Shed regulator pulley C.- B.
4900-NU II	Octogonal upper roller (+ plastic pulleys) C.-B.
5000--NU II	Lower roller (+ plastic pulleys) C.-B.
168-NU II	Harness upper part
169--NU II	Harness lower part
1101-NU II	Jack box board (front and back)
1102-NU II	Jack box end (right or left)
1030-NU II	Jacks (pair, assembled)
3300-NU II	Lam
403-NU II	Treadle set support,
4700-NU II	Treadle
135-NU II	Treadle spacer
123-NU II	Board, to center ratchet pawls
3672-NU II	Take-up motion handle with ratchet pawl
1404-NU II	Brake treadle

## NILUS II 36", 45" or 60" (cont.)

### METAL

208-NU II	Hook to fold back of the loom
421-NU II	Harness frame ends (pair)
4249-NU II	Spring clip for harness frame end
422-NU II	Heddle support,
55-NU II	Spring hook for heddle support,
423-NU II	Hook for heddle support
427-NU II	Hook for harness frame
7106-NU II	Spring for shed regulator
449-NU II	Jack iron-fitting
451-NU TI	Jack axle rod
446-NU II	Lam Support
482-4-NU II	Treadle set axle rod
406-NU II	Strengthening piece for take-up motion handle
407-NU II	Strengthening piece for ratchet pawls
417-NU II	Take-up motion handle support
412-NU II	Beam latch
3000-4701	Flat steel brake circle
403-NU II	Steel brake wire
47797NU II	Strengthening piece for brake
4729-NU II	Brake lever
56747NU II	Brake turnbuckle
3000-5884	Brake spring
4789-NU II	Rod connecting brake treadle to brake lever
3502-NU II	Peg for batten sword lower part
6839-NU IT	Pin for shed regulator pulley
3000-4521	Treadle hooks (set of 6)

### CAST-IRON

302-NU II	Plain wheel
303-NU II	Brake drum
308-NU II	Ratchet wheel
3000-5862	Crank
306-NU II	Ratchet pawl for take-up motion, handle
307D-NU II	Ratchet pawl for cloth beam (short)
307 LD-NU II	Ratchet pawl for cloth beam (long)

### PLASTIC

6101-NU II	Jack glide (harness guide)
6102-NU II	Nylon for harness frame end
1109-NU II	Stopper for brake treadle
3000-9229	Beater bumper (upright post)
3000-9219	Sub-harness bumper
7111-NU II	Black rubber ring for rod connecting brake treadle to lever

## NILUS II 36", 45" or 60" (cont.)

### CORDS

5102-NU II	Loop cords for shed regulator roller (set of 2)
5107--NU II	Loop cords for shed regulator pulley
1035-0000	Loop cords for rollers (set of 6)
5111-NU II	Loop cords connecting harnesses to lams (set/4)
3718-NU II	Loop cords for stabilizing posts (set of 2)
3400-7011	Treadle cords (set of 12)

### NILUS II 8S

#### WOOD

1100-NU II	Upright post (right or left).
3-NU II	Lam
1400-NU II	Lam divider
1399-NU II	Jack spacer
2300-NU II	Treadle with extension
2000-NU II	Treadle extension
1604-NU II	Brake treadle

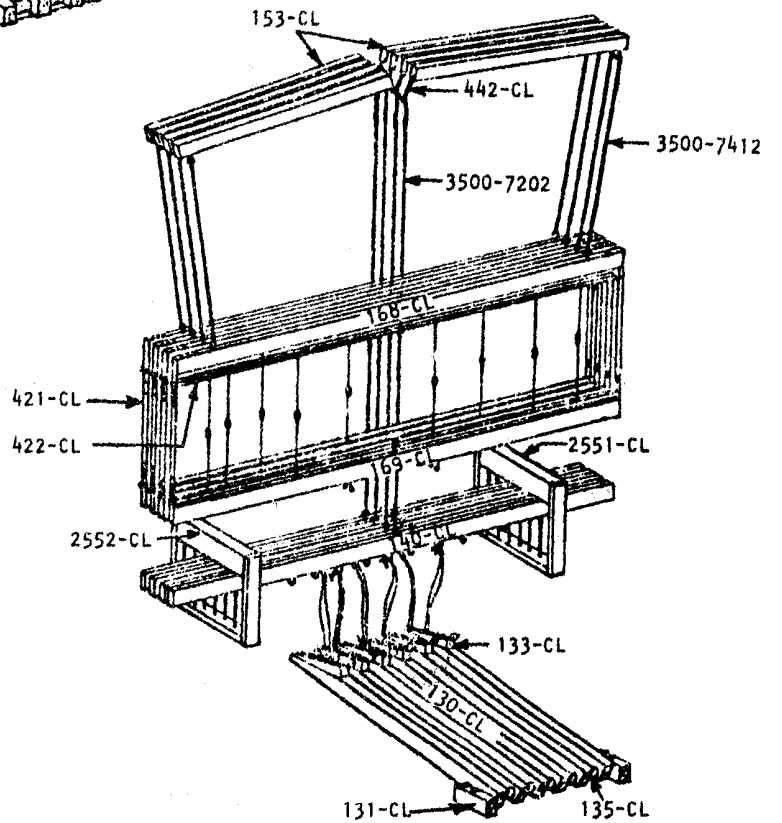
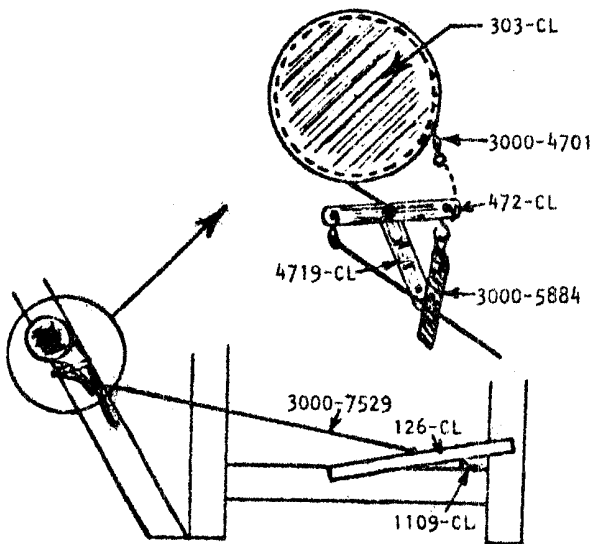
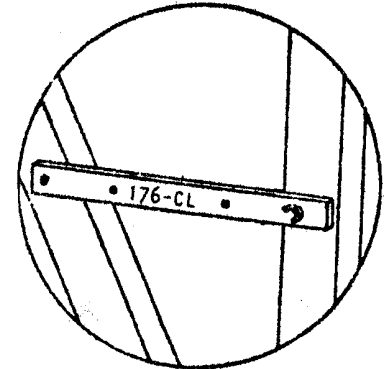
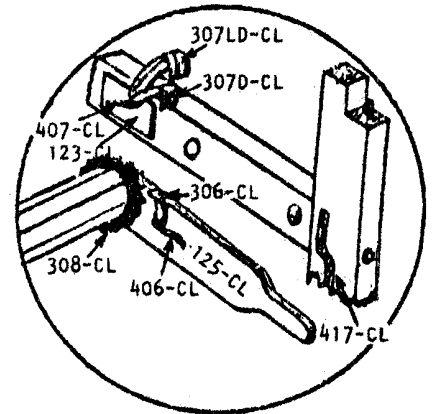
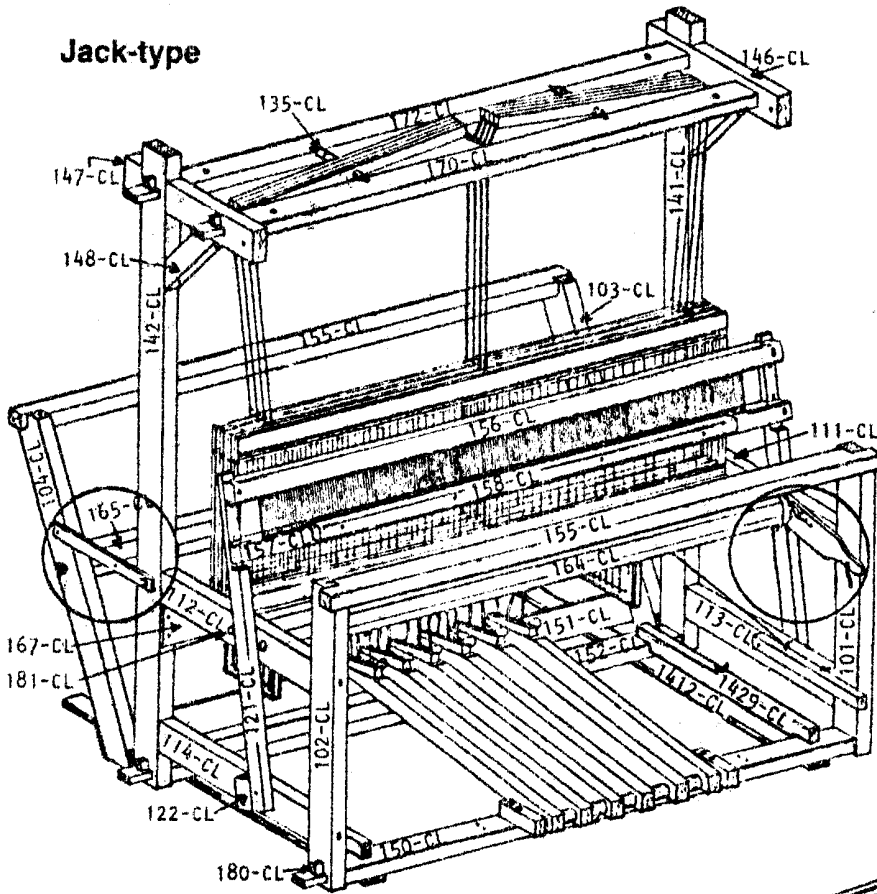
#### Metal

1639-NU II	Jack axle rod
1709-NU II	Eyelet bolt with nut for ,lack iron--fitting
4519-NU II	Treadle set axle rod
3501-4521	Ttreadle hooks 9" (23cm) (set of 10)

# COLONIAL

Pas à la lève

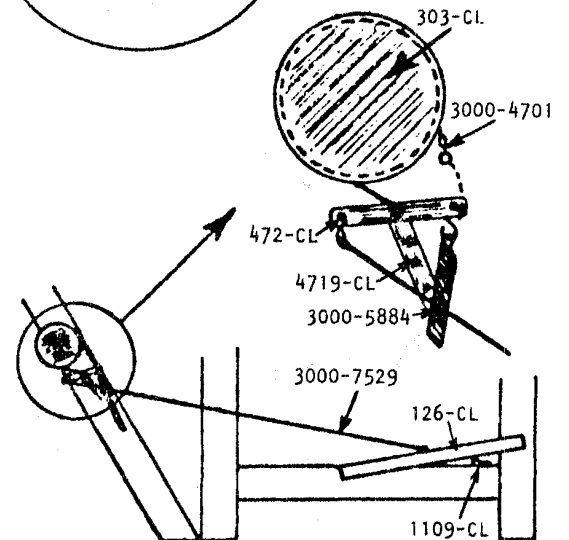
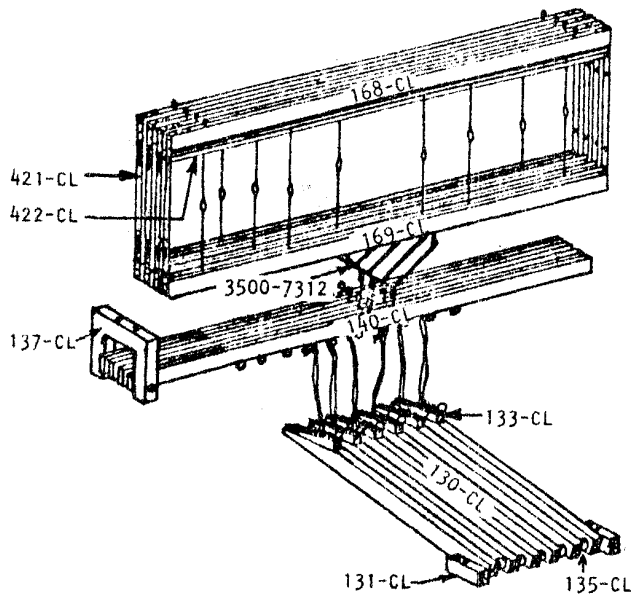
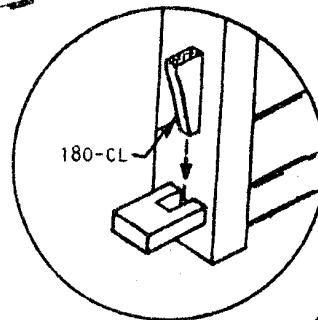
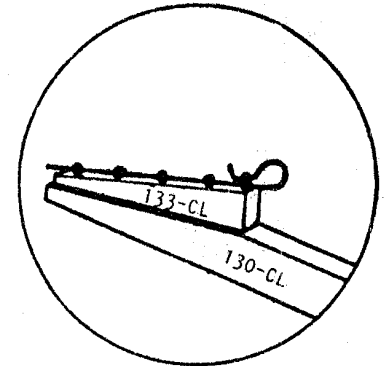
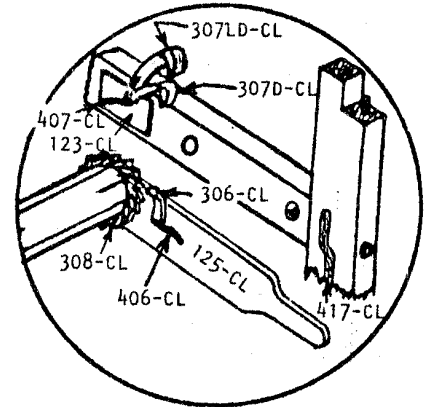
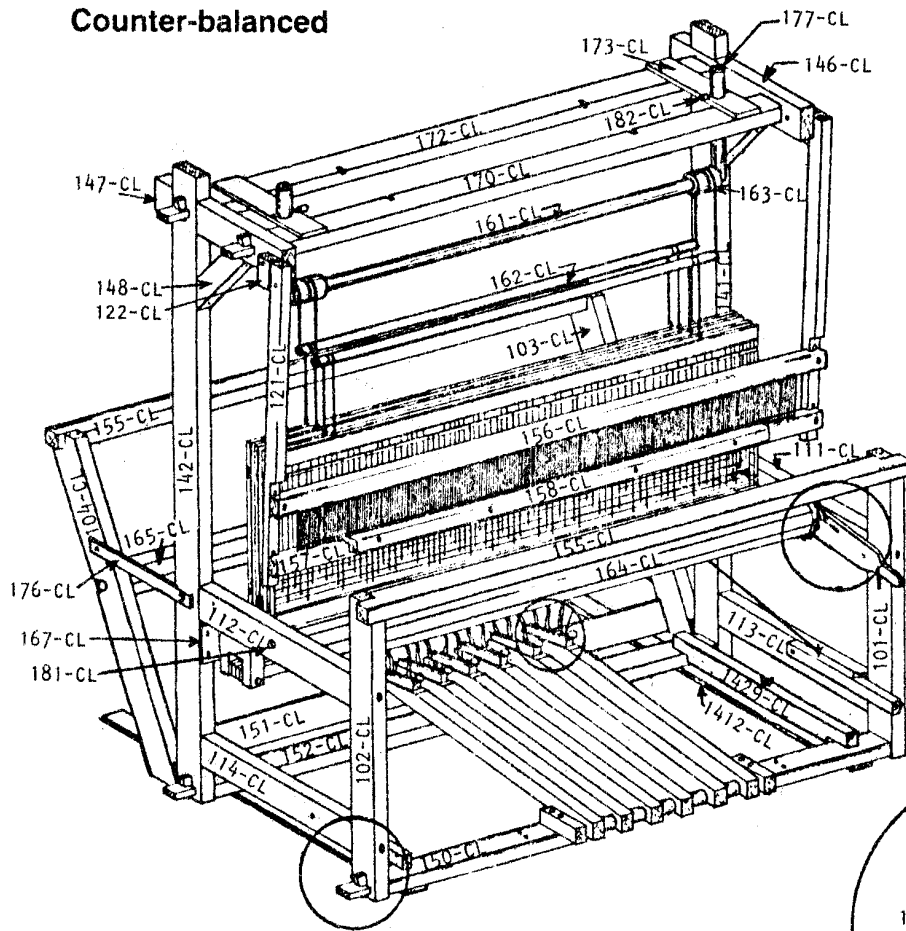
Jack-type



# COLONIAL

Contre-balancé

Counter-balanced





# COLONIAL (old) 4 or 8s jack, 4s C.-B. 45" or 60"

## WOOD

141-CL	Right upright, post (without batten support)
142-CL	Left upright post (without batten support)
146-CL	Right batten support
147-CL	Left batten support
146-CL	Strengthening piece for batten support
170-CL	Front upper cross-member
172-CL	Back upper cross-member
160-CL	Assembling peg
101-CL	Right front post
102-CL	Left front post.
103--CL	Right back post (w/o beam latch)
104-CL	Left back post (w/o beam latch)
111-CL	Right upper lateral cross-member
112-CL	Left upper lateral cross-member
113-CL	Right lower lateral cross-member
114-CL	Left lower lateral cross-member
150-CL	Treadle set cross-member
152-CL	Middle lower cross-member
151-CL	Lower cross-member connecting back posts
167-CL	Middle cross--member connecting upright posts
155-CL	Breast or thread beam
164-CL	Cloth beam w/ wheels & canvas apron
165-CL	Warp beam with wheels
121-122-CL	Batten sword w/ attachment block
156-CL	Batten handtree
157-CL	Batten sley
156-CL	Shuttle race
173-CL	Horizontal roller support C.-B
177-CL	Vertical roller support C.-B.
162-CL	Adjustment peg for vertical roller support C.-B.
161-CL	Upper roller (w/ sockets)C.-B.
102-CL	Lower roller (w/ plastic pulleys) C.-B.
163-CL	Upper roller socket C.-B.
153-CL	Jacks (pair, assembled) Jack-type
135-CL	Jack spacer Jack-type
156-CL	Harness upper, part
169-CL	Harness lower part
140-CL	Floating lam
2551-CL	Right lam divider Jack--tpe
2552-CL	Left lam divider Jack-type
137-CL	Lam support Counter-Balance
131-CL	Treadle set support
130-CL	Treadle with extension
133-CL	Treadle extension
135-CL	Treadle spacer
181-CL	Stop peg for lower fixed beater
123-CL	Board to center ratchet pawls
125-CL	Take-up motion handle with ratchet pawl
126-CL	Brake treadle
176-CL	Hook to fold back of the loom
821-CL	Tip-proof stabilizers (pair)
1412-CL	Stabilizing board
1429-CL	Clamping member for stabilizing board

## COLONIAL (old) 4 or 8s jack, 4s C.-B. 45" or 60" (cont.)

### METAL

442-CL	Jack iron-fitting
451-CL	Jack axle rod
421-CL	Harness frame ends (pair)
4249-CL	Spring clip for harness frame end
422-CL	Heddle support
55-CL	Spring hook for heddle support
423-CL	Hook for heddle support
427-CL	Hook for harness frame
482-4-CL	Treadle set axle rod (4 harnesses)
482-8-CL	Treadle set axle rod (8 harnesses)
416-CL	Treadle spring (with snap bodie)
425-CL	Support rod for treadle springs
406-CL	Strengthening piece for take-up motion hand:
407-CL	Strengthening piece for ratchet pawls
417-CL	Take-up motion handle support
412-CL	Beam latch
3000-4701	Flat steel brake circle
403-CL	Steel brake wire
4719-CL	Strengthening !piece for brake
472-CL	Brake lever
5874-CL	Brake turnbuckle
3000-5884	Brake spring
4789-CL	Rod connecting brake treadle to brake lever
3000-4531	Treadle hooks (set of 6)

### Cast-iron

302-CL	Plain wheel.
303-CL	Brake drum
308-CL	Ratchet wheel
3000-5862	Crank
306-CL	Ratchet pawl for take-up motion handle
307D-CL	Ratchet pawl for cloth beam (short)
307LD-CL	Ratchet pawl for cloth beam (long)

### Plastic

1109-CL	Stopper for brake treadle
---------	---------------------------

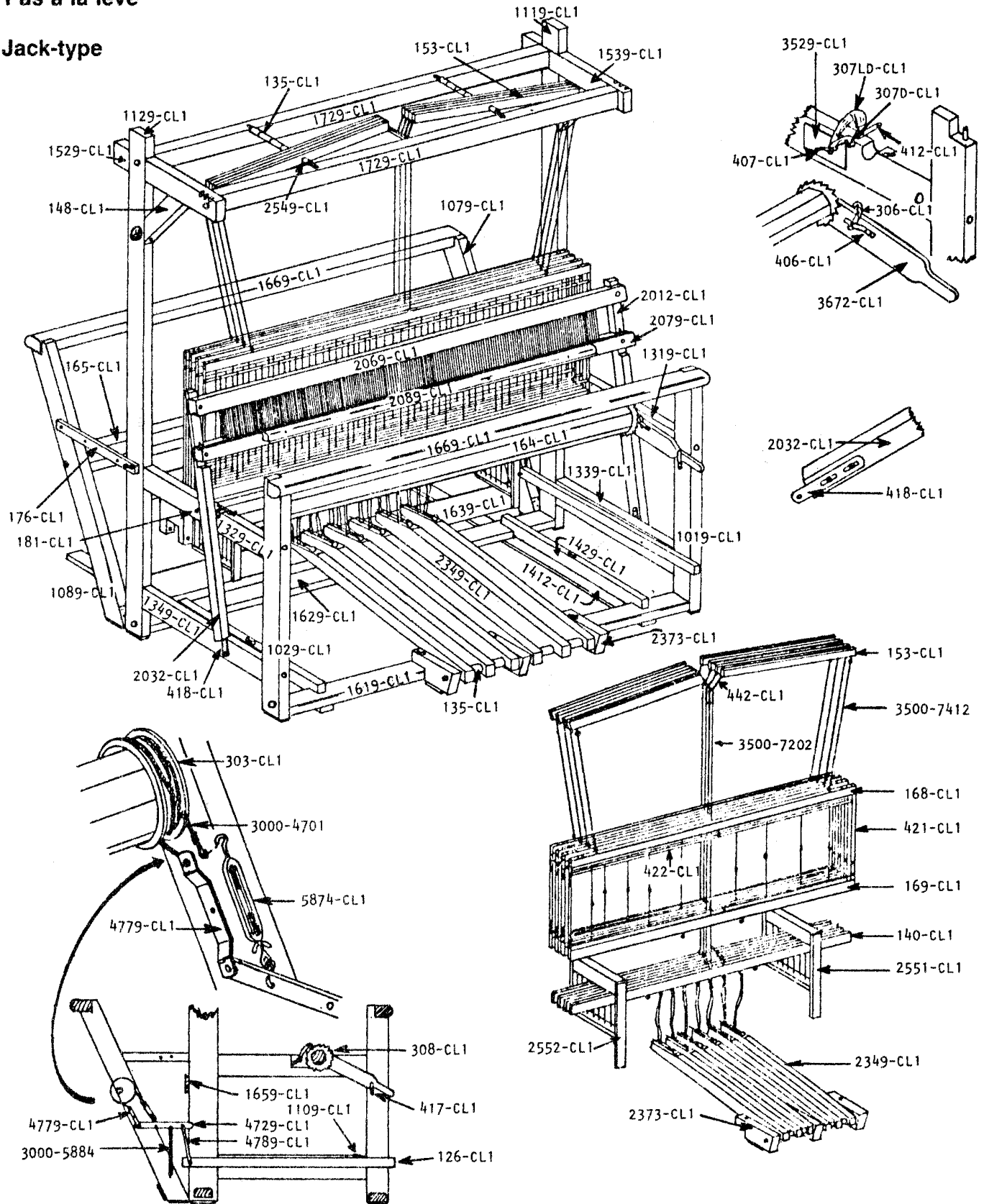
### CORD

7113-CL	Upper roller cords (set of 2)
3000-7123	Lower roller cords (set of 4)
1035-0000	Loop cords for rollers (set of 6)
3500-7202	Cords connecting .lacks to lams (with chain at one end)(set of 4)
3500-7412	Cords connecting jacks to harnesses (set of 8)
3500-7312	Cords connecting lams to harnesses (set of 4)
3000-7529	Brake cord
3000-7011	Treadle cords (set of 12)

# COLONIAL I

Pas à la lève

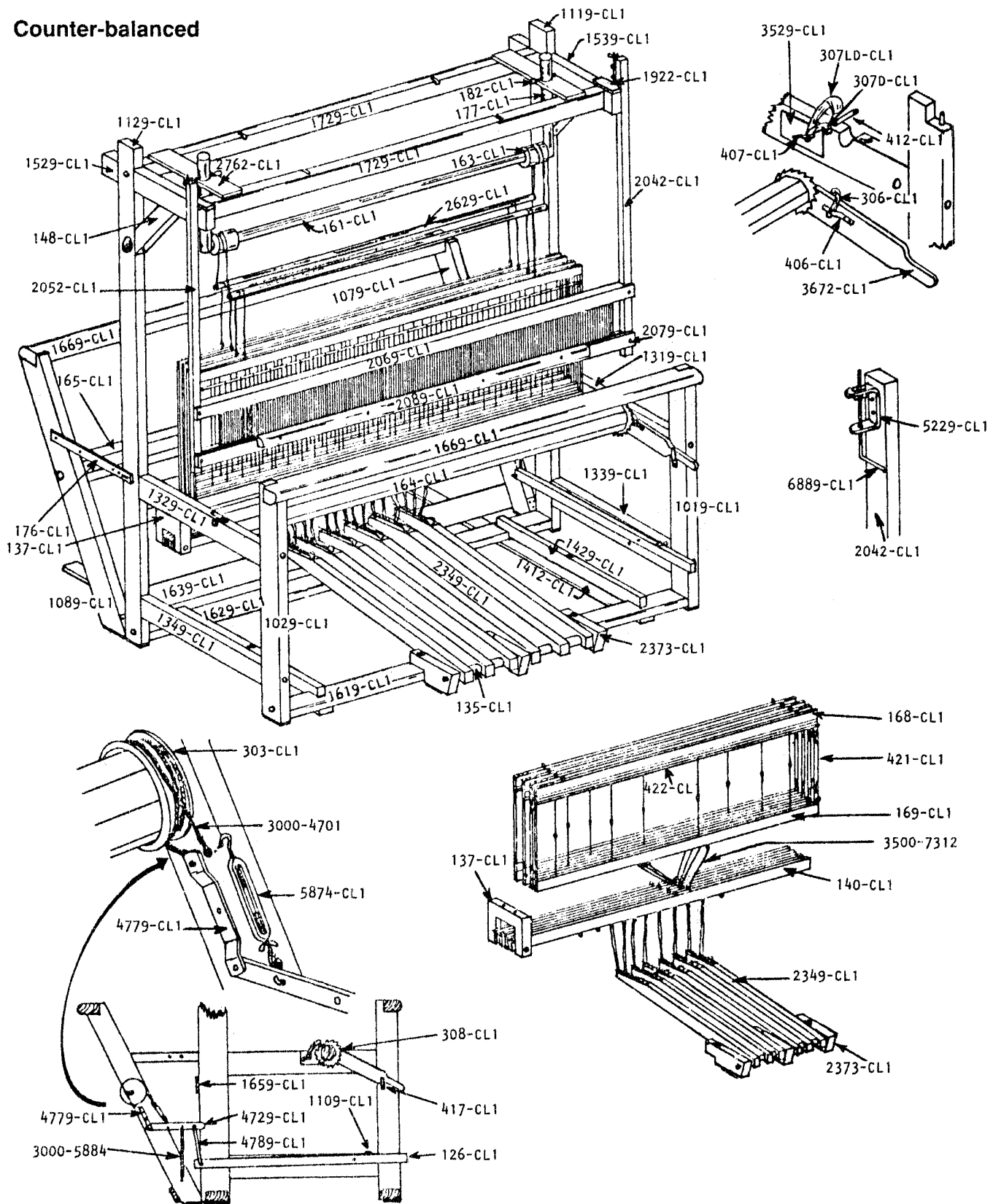
Jack-type



# COLONIAL I

Contre-balancé

Counter-balanced



# COLONIAL I Jack 4, 8 or 12s Jack, 4s C.-B. 45" or 60"

## WOOD

1119-CL I	Right upright post (w/o batten sword)
1129-CL I	Left upright past (w/o batten sword)
1539-CL I	Right batten support
1529-CL I	Left batten support.
148-CL I	Strengthening piece for batten support
1729-CL I	Upper cross-member (front or back)
1019-CL I	Right front post
1029-CL I	Left front post
1079-CL I	Right back post (w/o beam latch)
1089-CL I	Left back post (w/o beam latch)
1319-CL I	Right upper lateral crass-member
1329-CL I	Left upper lateral crass-member
1339-CL I	Right lower lateral. cross-member
1399-CL I	Left lower lateral cross-member
1619-CL I	Treadle set cross-member
1629-CL I	Middle lower cross-member
1639-CL I	Lower cross--member connecting back posts
1659-CL I	Middle cross-member connecting upright posts
1669-CL I	Breast or thread beam
164-CL I	Cloth beam w/ wheels & canvas apron
165-CL I	Warp beam with wheels
2012-CL I	Right batten sword + iron-fitt. (low. fix. beater)
2032-CL I	Left batten sword + iron-fiat. (low. fix. beater)
2092-CL I	Right batten sword (overhead beater)
2052-CL I	Left batten sward (overhead beater)
2069-CL I	Batten handtree
2079-CL I	Batten sley
2089-CL I	Shuttle. race
2762-CL I	Horizontal roller support C.-B.
177-CL I	Vertical roller support C.-B,
182-CL I	Adjustment peg for vertical taller support C.-B.
161-CL I	Upper roller (w/ sockets) C--B.
2629-CL I	Lower roller (with plastic pulleys) C.-B.
163-CL I	Upper roller socket C.-B.
153-CL I	Jacks (pair, assembled) Jack-type
135-CL I	Jack spacer Jack-type
2549--CL I	Jack spacer (short) jack-type
168-CL I	Harness upper part
169-Ch I	Harness lower part
140-CL I	Floating lam
2551-CL I	Right lam divider Jack-ty
2552-CL I	Left lam divider Jack-type
137-C1 I	Lam support C.-B.
2373-CL I	Treadle set support
2349-CL I	Treadle
135-CL I	Treadle space
0-2329-CL I	Treadle set board (4 harnesses)
1-2329-CL I	Treadle set board (8 harnesses)
2-2329-CL I	Treadle set board (12 harnesses)
1922-CL I	Stoppers for overhead beater (pair)
181-CL I	Stop peg for lower fixed beater
3529-CL I	Board to center ratchet pawls
3672-CL I	Take--up motion handle with ratchet pawl
126-CL I	Brake treadle

# COLONIAL I Jack 4, 8 or 12s Jack, 4s C.-B. 45" or 60" (cont.)

175-CL I	Hook to fold back of the loom
821-CL I	Tip-proof stabilizers (pair)
1412-CL I	Stabilizing board
1429-CL I	Clamping member for stabilizing board
1900-CL I	Right stabilizing post
2800-CL I	Left stabilizing post
205--CL I	Cross--member connecting stabilizing posts

## METAL

4249-CL I	Spring clip for harness frame end
422-CL I	Heddle support
55-CL I	Spring hook for heddle support
423-CL I	Hook for heddle support
427-CL I	Hook for harness frame
482-4-CL I	Treadle set axle rod (4 harnesses)
482-8-CL I	Treadle set axle rod (8 harnesses)
482-12-CL I	Treadle set axle rod (12 harnesses)
416-CL I	Treadle spring (with snap bowie)
425-CL I	Support rod for treadle springs
406-CL I	Strengthening piece for take-up motion handle
407-CL I	Strengthening piece for ratchet pawls
417-CL I	Take-up motion handle support
412-CL I	Beam latch
3000-4701	Flat steel brake circle
403-CL I	Steel brake wire
4779-CL I	Strengthening piece for brake
4729-CL I	Brake lever
5874-CL I	Brake turnbuckle
3000-5884	Brake spring
4789-CL I	Rod connecting brake treadle to brake lever
418-CL I	Iron-fitting for batten sword
4531-CL I	Treadle hooks (set of 6)

## CAST-IRON

302-CL I	Plain wheel
303-CL I	Brake drum
308-CL I	Ratchet wheel
3000-5862	Crank
306-CL I	Ratchet wheel for take-up motion handle
307D-CL I	Ratchet pawl for cloth beam (short)
307LD-CL I	Ratchet pawl for cloth beam (long)

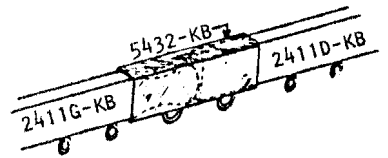
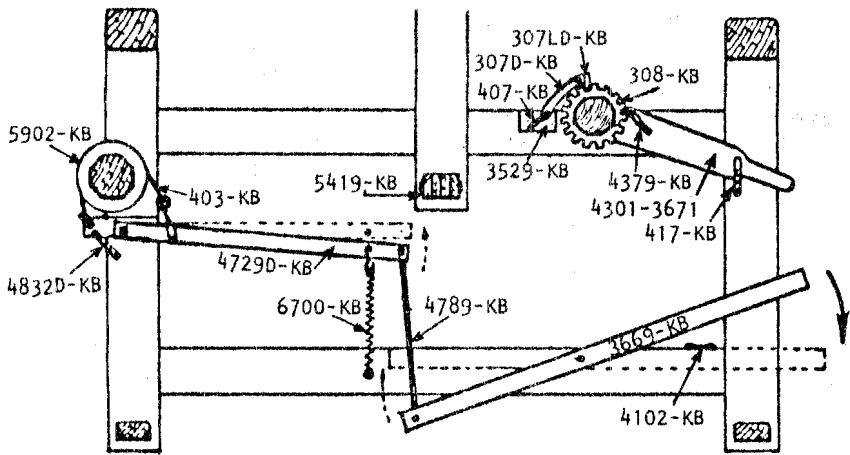
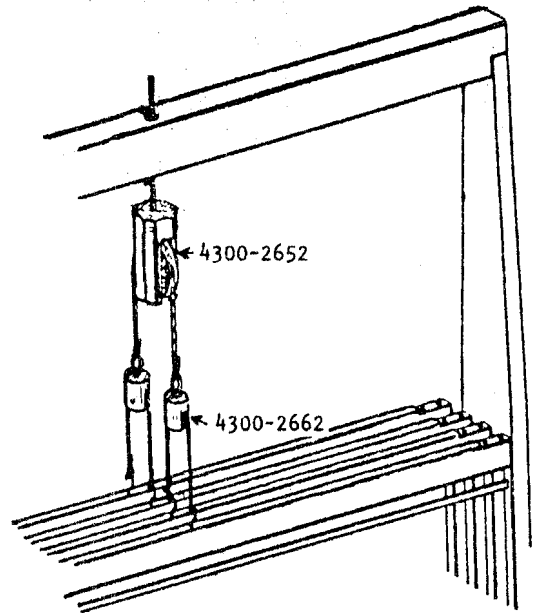
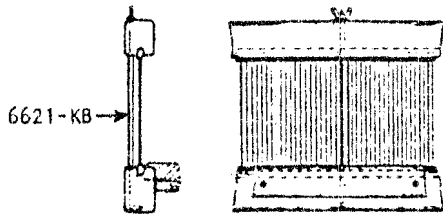
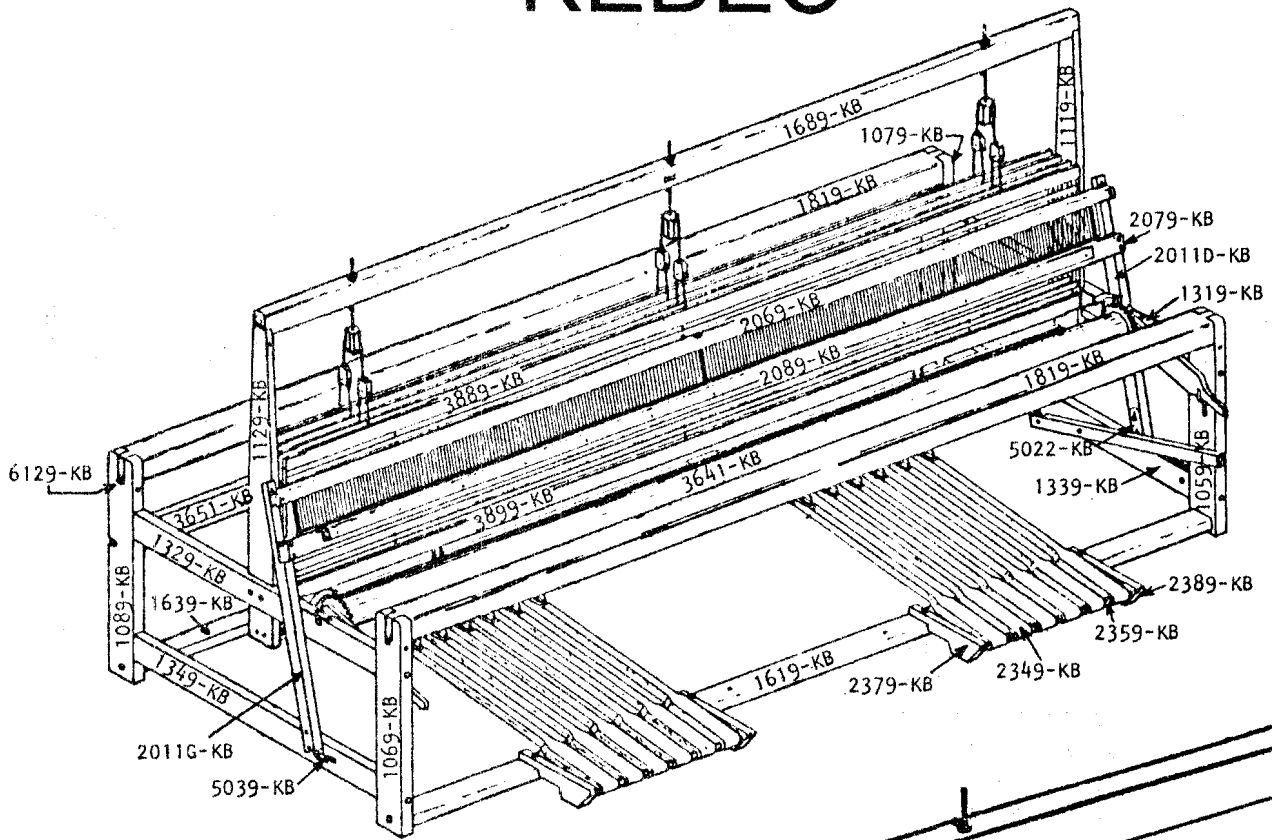
## PLASTIC

1109-CL I	Stopper for brake treadle
-----------	---------------------------

## CORD

7113-CL I	Upper roller cords (set of 2)
3000-7123	Lower roller cords (set of 4)
1035-0000	Loop cords for rollers (set of 6)
3500--7202	Cords connecting jacks to lams (with chain at one end) (set of 4) .
3500-7412	Cords connecting jacks to harnesses (set of 8)
3500-7312	Cords connecting lams to harnesses (set of 4)
3000-7523	Brake cord
3000-7011	Treadle cords (set of 12)
3718-CL I	Loop cords for stabilizing posts (set of 2)

# KEBEC



# KEBEC 90" or 100"

## WOOD

1119-KB	Right upright post (w/o lam support)
1129-KB	Left upright post (w/o lam support)
1689-KB	Upper cross-member holding pulleys
1059-KB	Right front post
1069-KB	haft front psot
1079-KB	'fight back post (w/o beam latch)
1089-KB	Left back post (w/o beam latch)
1.319-KB	Right upper lateral cross-member (without latch)
1329-KB	Left upper lateral cross-member (without latch)
1339-KB	Right lower lateral cross-member (w/o strengthening piece for batten sword)
1349-KB	Left lower lateral cross member (without " ")
1619-KB	Treadle set cross-member
1639-KB	Back cross-member
1819-KB	Breast or thread beam
3641-KB	Cloth beam w/ wheels & canvas apron
3651-KB	Warp beam with wheels
2011D-Kb	Right batten sword (w/ iron-fitting)
20116-K13	Left batten sword (w/ iron-fitting)
2069-KB	Batten handtree
2079-KB	Batten sley
2089-KB	Shuttle race
3889 -KB	Harness upper part
3899-KB.	Harness lower part
2411D-KB	Right lam
24116-KB	Left lam
2389-KB	Right treadle set support
2379-KB	Left treadle set support
2349-KB	Treadle
2359-1(B	Treadle spacer
2329-KB	Treadle set board
3529-KB	Board to center right ratchet pawls
3539-KB	Board to center left ratchet pawls
4301-3671	Right take-up motion handle with aluminum pawl
4302-3671	Left take-up motion handle w/cast-iron ratchet pawl
3669-KB	Brake treadle

## METAL

4300-2652	Large pulley (assembled)
4300-2642	Small pulley with hook
421-KB	Harness frame ends (pair)
4249-KB	Spring clip for harness-frame end
422-KB	Heddle support.
55-KB	Spring hook for heddle support,
423-KB	Hook for heddle support
427-KB	Hook for harness frame
6621-KB	Rod connecting center of batten handtree to batten sley
5022-KB	Iron-fitting for batten sword
5039--KB	Strengthening piece for batten sword
6129-KB	Iron-fitting for breast beam
5419-KB	Lam support,
5432--KB	Connector for center of lams
4519-KB	Treadle set 'axle rod
4719-KB	Strengthening piece for take-up motion handle
407-KB	Strengthening piece for ratchet pawls



## KEBEC 90" or 100" (cont.)

417-KB	Take-up motion handle support
4319-KB	Beam latch
403-KB	Steel brake wire (specify the length of the wire)
4832D-KB	Strengthening piece for brake (right)
48326-KB	Strengthening piece for brake (left)
4729D-KB	Brake lever (right)
47296-KB	Brake lever (Left)
6700-KB	Brake spring
4789-KB	Rod connecting brake treadle to brake lever
3000-4521	Treadle hooks (set, of 6)

### CAST-IRON

59054B	Plain wheel for warp beam
5902-KB	Brake drum
308-KB	Ratchet wheel for cloth beam (right)
301-KB	Ratchet wheel for cloth beam (left)
5862-KB	Crank
4379-KB	Ratchet pawl for right take-up motion handle (aluminum)
1172-KB	Ratchet pawl for left take-up motion handle
307D-KB	Ratchet pawl for cloth beam(short,right)(aluminum)
3076-KB	Ratchet pawl for cl.oth beam (short, left)
307LD-KB	Ratchet pawl for cloth beam(long,right)(aluminum)
307LG-KB	Ratchet pawl for cloth beam (long, right)
4102-KB	Stopper for brake treadle

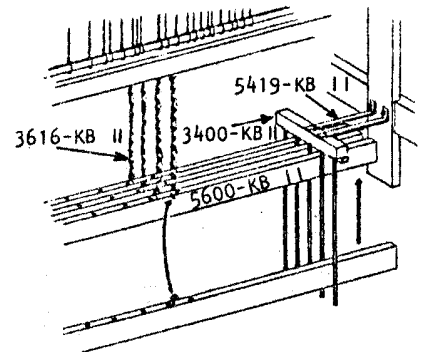
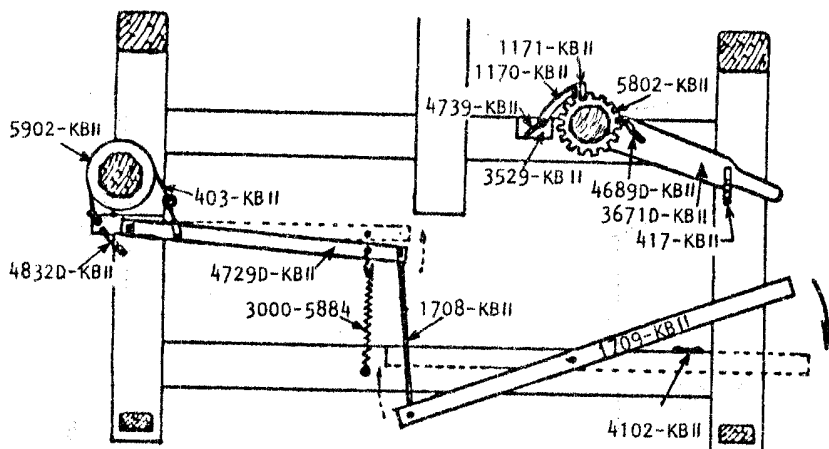
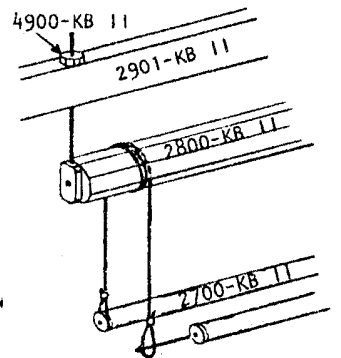
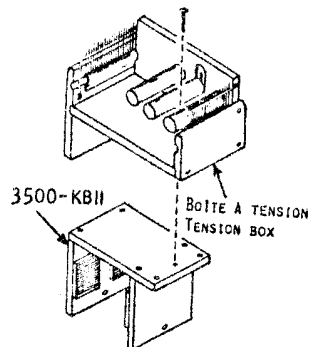
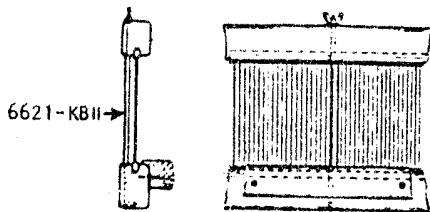
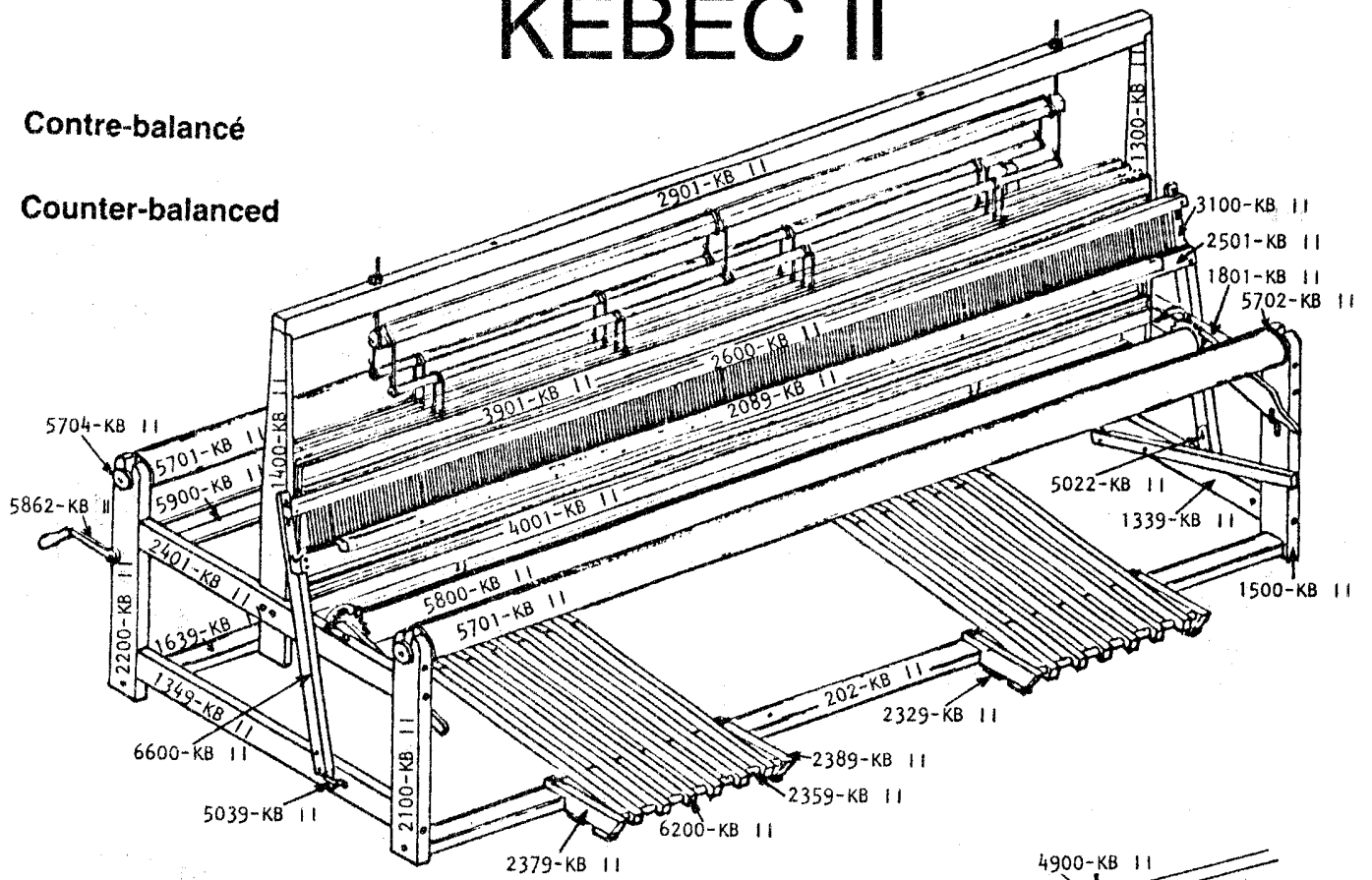
### PLASTIC

1302-KB	Beater bumper (upright post)
---------	------------------------------

# KEBEC II

Contre-balancé

Counter-balanced



# KEBEC II 4S Counter-Balance 100" or 120"

## WOOD

1300-KB II	Right upright post (w/o lam support)
1400-KB II	Left upright post (w/o lam support)
2901-KB II	Upper cross-member
1500-KB II	Right front post
2100-KB II	Left front post
1600-KB II	Right back post. (w/o beam latch)
2200-KB II	Left back post (w/o beam latch)
1801-KB II	Right upper lateral cross-member (without latch)
2401-KB II	Left upper lateral cross-member (without latch)
1339-KB II	Right lower lateral cross-member(w/o strengthening) piece for batten sword)
1349-KB II	Left lower lateral cross-member(without. " ")
202-KB II	Treadle set cross-member
1639-KB II	Back cross-member
5701-KB II	Breast of thread beam (round)
5704-KB II	Round piece for breast or thread beam end
5800-KB II	Cloth beam w/ wheels & canvas apron
5900--KB II	Warp beam with wheels
3100-KB II	Right batten sword (w/ iron-fitting)
6600-KB II	Left batten sword (w/ iron-fitting)
2600-KB II	Batten handtree
2501-KB II	Batten sley
2089-KB II	Shuttle race
2800-KB II	Upper roller (with threaded rods)
2700-KB II	Lower roller (with metal pulleys)
4900-KB II	Screw to fix upper roller or jack support
3321-KB II	Jack support
3312-KB II	Jacks (pair, assembled)
3901-KB II	Harness upper part
4001-KB II	Harness lower part
5600-KB II	Floating lam
3400-KB II	Lam divider
2389-KB II	Right treadle set support
2379-KB II	Left treadle set support
6200-KB II	Treadle
259-KB II	Treadle spacer
2329-KB II	Treadle set board
3529-KB II	Board to center right ratchet pawls
3539-KB II	Board to center left, ratchet pawls
3871D-KB II	Right take-up motion handle with aluminum ratchet pawl
36716-KB II	Left take-up motion handle w/cast-iron ratchet pawl
1709-KB II	Brake treadle
3500-KB II	Tension box adapter

# KEBEC II 4S Counter-Balance 100" or 120" (cont.)

## METAL

442-KB II	Jack iron-fitting
421-KB II	Harness frame ends (pair)
4249-KB II	Spring clip for harness frame end
422-KB II	Heddle support
55-KB II	Spring hook for heddle support
423-KB II	Hook for heddle support
427-KB II	Hook for harness frame
66'21-KB II	Rod connecting center of batten handtree to batten slew
5022 -KB II	Iron-fitting for batten sword
5039-KB 11	Strengthening piece for batten sword
5419-KB II	Lam divider support
3616-KB II	Chain connecting lam to harness frame
4519-KB II	Treadle set axle rod
4439-KB II	Strengthening piece for take-up motion handle
4739-KB II	Strengthening piece for ratchet pawls
417-KB II	Take-up motion handle support
4319-KB II	Beam latch
403-KB II	Steel brake wire (specify the length of the wire)
4832D-KB II	Strengthening piece for brake (right)
48326-KB II	Strengthening piece for brake (left)
4729D-KB II	Brake lever (right)
47296-KB II	Brake lever (left)
6700-KB II	Brake spring (large)
3000-5884	Brake spring (small)
1708-KB II	Hod connecting brake treadle to brake lever
1003-0304	Treadle hooks (set of 6)

## Cast-iron

5702-KB II	Plain wheel for round breast or thread beam
5905-KB II	Plain wheel for warp beam
5902-KB II	Brake drum
5802-KB II	Square toothed ratchet wheel
5862-KB II	Crank
4689D-KB II	Ratchet pawl for right take-up motion handle (aluminum)
46896-KB II	Ratchet pawl for left take-up motion handle
1170-KB II	Ratchet pawl for cloth beam(short,right)(aluminum)
2410-KB II	Ratchet, pawl, for cloth beam (short; left)
1171-KB II	Ratchet pawl for cloth beam(long,right)(aluminum)
2411-KB II	Ratchet pawl for. cloth beam (long, left)
4102-KB 11	Stopper for brake treadle

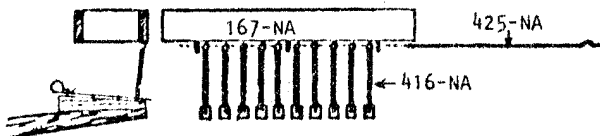
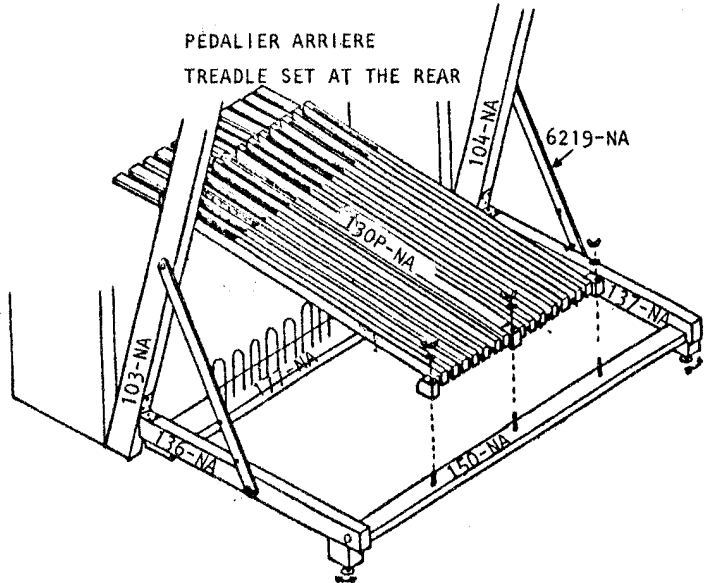
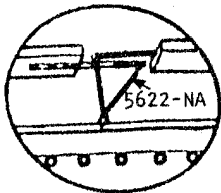
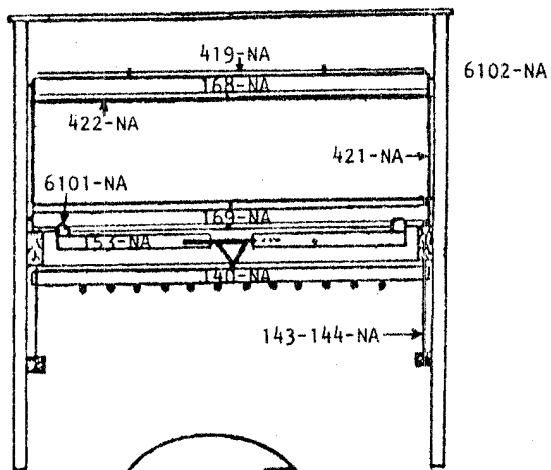
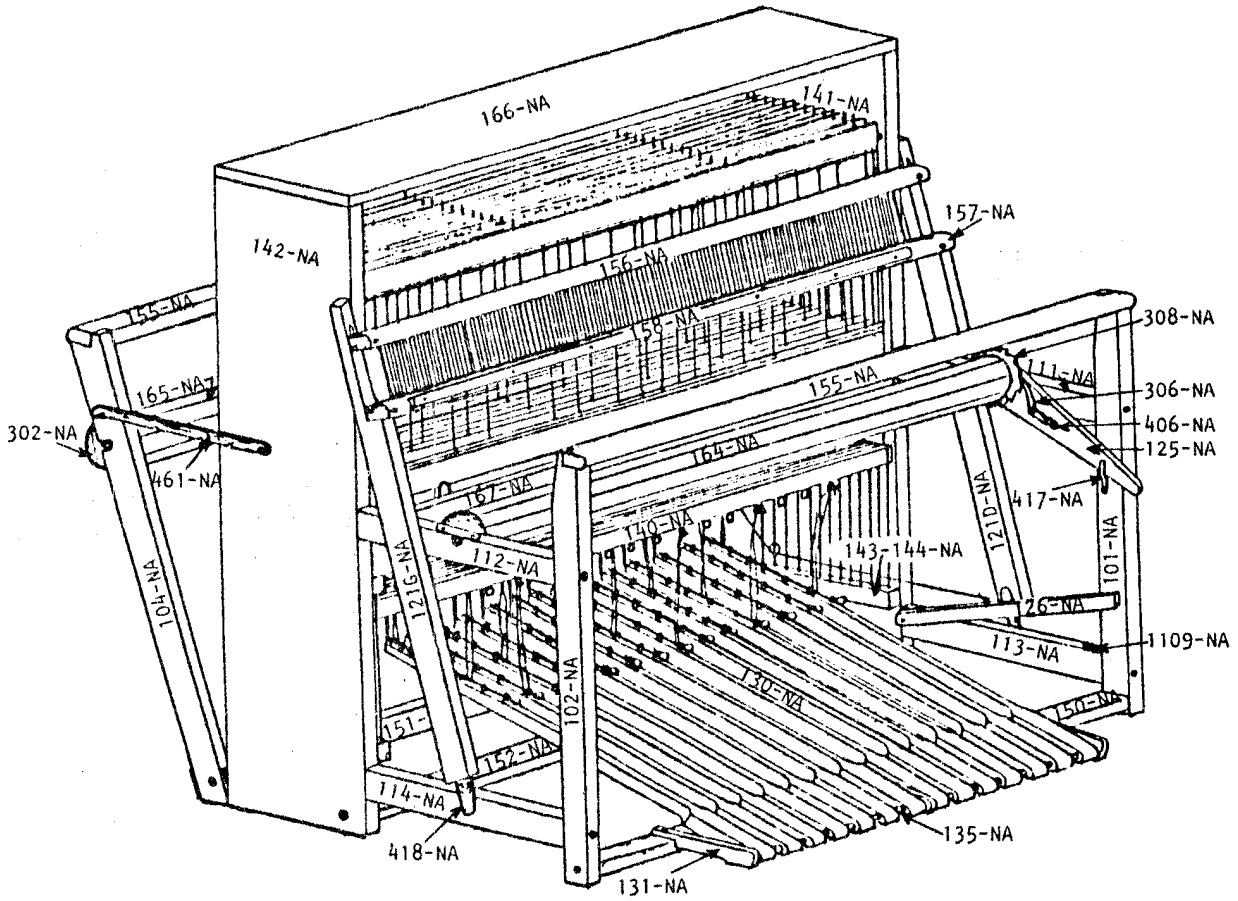
## Plastic

1302-KB II	Beater bumper (upright post)
0342-6102	Peg locking the treadle hook

## Cord

1036-0000	Loop cords for rollers (set of 11)
3921-KB II	Cords connecting ,lacks to harnesses (set of 8)
3931-KB II	Cords connecting lams to harnesses (set of 4)
3400-7011	Treadle cords (set of 12)

# NILART



# NILART 12 or 16s, 45" or 60"

## WOOD

141-NA	Right upright post
142-NA	Left upright post
166-NA	Castle top
101-NA	Right front post
102-NA	Left front post
103-NA	Right back post (w/o beam latch)
104-NA	Left back post (w/o beam latch)
111-NA	Right upper lateral cross-member (without latch)
112-NA	Left upper lateral cross-member (without latch)
113-NA	Right lower lateral cross-member
114-NA	Left lower lateral cross-member
150-NA	Front treadle set cross-member
152-NA	Middle lower cross-member
151-NA	Lower cross-member connecting back posts
155-NA	Breast or thread beam
164-NA	Cloth beam w/ wheels & canvas apron
165-NA	Warp beam with wheels
121D-NA	Right batten sword (w/ iron-fitting)
1216-NA	Left batten sword (w/ iron-fitting)
156-NA	Batten handtree
157-NA	Batten sley
156-NA	Shuttle race
168-NA	Harness upper part (with pins for harness weight)
169-NA	Harness lower part
167-NA	Jack box x board (front or back)
153-NA	Jacks (pair, assembled.)
1399-NA	Jack spacer
140-NA	Lam
143-144-NA	Lam divider
131-NA	Treadle set support
130--NA	Treadle with extension
135-NA	Treadle spacer
132-NA	Treadle set board
123-NA	Board to center ratchet pawls
125-NA	Take-up motion handle with ratchet pawl
126-NA	Brake treadle

## METAL

421-NA	Harness frame ends (pair)
4249-NA	Spring clip for harness frame end
422-NA	Heddle support
55-NA	Spring hook for heddle support
423-NA	Hook for heddle support
419-NA	Harness weight - 6 oz (170 g)
5622-NA	Jack iron-fitting
5629-NA	Jack iron-fitting

## NILART 12 or 16s, 45" or 60" (cont.)

### METAL

5619-NA	Jack axle rod (8-12 harnesses)
5619-16-NA	Jack axle rod (16 harnesses)
4519-8-NA	Treadle set axle rod (8 harnesses)
4519-12-NA	Treadle set axle rod (12 harnesses)
4519-16-NA	Treadle set axle rod (16 harnesses)
425-NA	Support rod for treadle springs
416-NA	Treadle spring (with snap bodie)
406-NA	Strengthening piece for take-up motion handle
407-NA	Strengthening piece for ratchet pawls
417-NA	Take-up motion handle support
412-NA	Beam latch
3000-4701	Flat steel brake circle
403-NA	Steel brake wire
4719-NA	Strengthening piece for brake
4729-NA	Brake lever
3000-5884	Brake spring
418-NA	Iron-fitting for batten sword
461-NA	Hook to fold back of the loom
3201--4521	Treadle hooks (set of 10)

### Cast-iron

302-NA	Plain wheel
303-NA	Brake drum
306-NA	Ratchet wheel
304-NA	Crank
306-NA	Ratchet pawl-for take-up motion handle
307D-NA	Ratchet pawl for cloth beam (short)
307LD-NA	Ratchet pawl for cloth beam (long)

### PLASTIC

6101-NA	Jack glide (harness guide)
6102-NA	Nylon for harness frame end
1109-NA	Stopper for brake treadle
3000-9229	Beater bumper (upright post)

### CORD

3000-7529	Brake cord
3200--7021	Treadle cords - (set of 12)

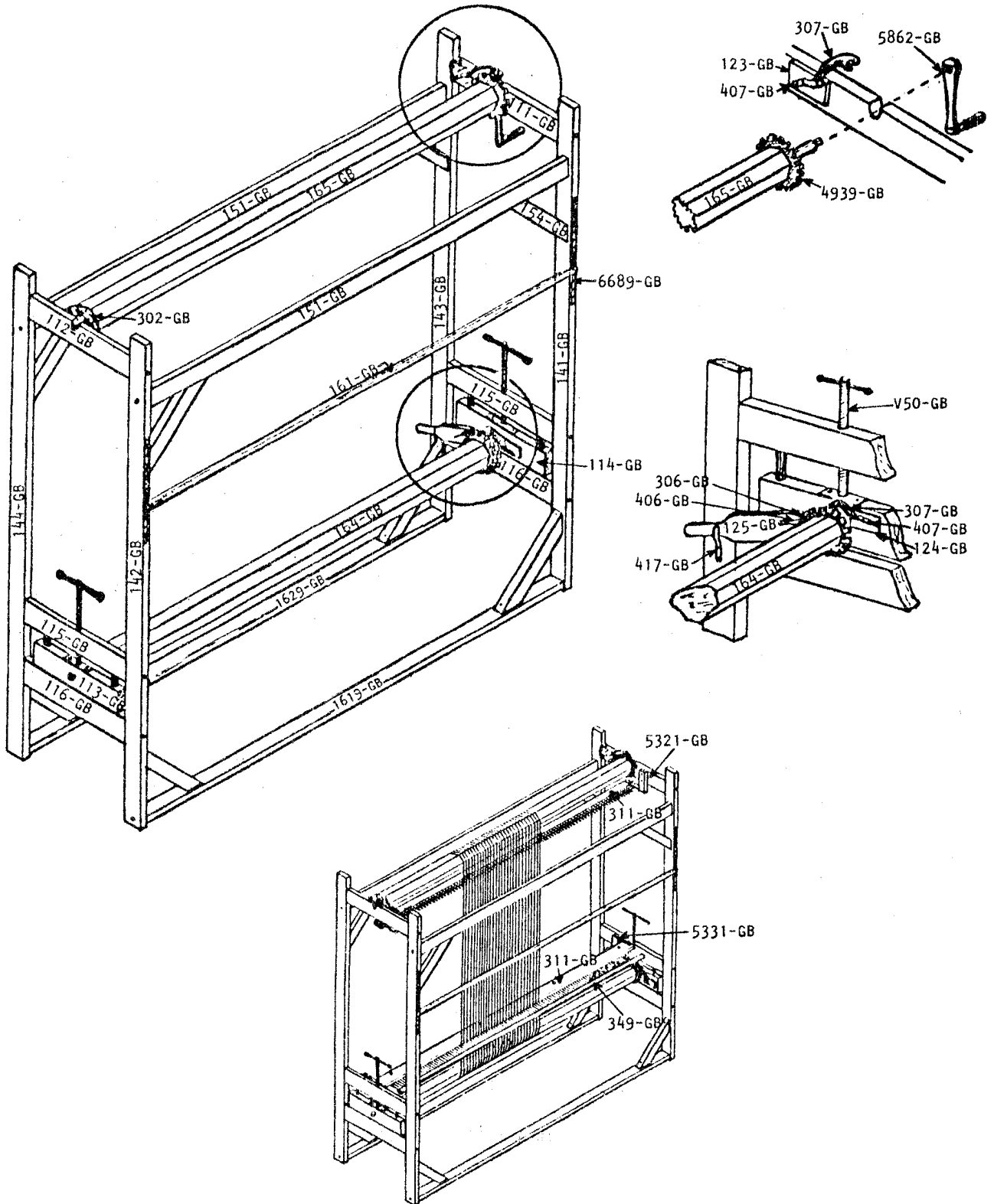
### NILART - TREADLE SET AT THE REAR

136-NA	Right back lateral cross-member with short, post
1.37-NA	Left back lateral cross-member with chart post
150-NA	Hack treadle set crass-member
177-NA	Cross-member with treadle divider
175-NA	Back cross-member covering treadle divider
176-NA	Bevelled cross-member supporting treadles
130P-NA	Treadle with correction lever

### METAL

6219-NA	Hook connecting bank lateral cross-member to back past
---------	--

# GOBELIN





# GOBELIN 36", 45" or 60" (80")

## WOOD

141-GB	Right front upright post
142-GB	Left front upright post
143-GB	Right back upright post
144-GB	Left back upright post
151-GB	Upper cross-member (front or back)
1629-GB	Lower cross-member
1619-GB	Treadle-set cross-member
111-GB	Right upper lateral cross-member
112-GB	Left upper lateral cross-member
115-GB	Cross-member for tension screw
114-GB	Right adjustable lateral cross-member
113-GB	Left adjustable lateral cross-member,
116-GB	Lower lateral cross-member
154-GB	Strengthening piece connecting cross-member, to upright post
164-GB	Cloth beam with wheels
165-GB	Warp beam with wheels
161-GB	Heddle support
123-GB	Upper board to center ratchet pawls
124-GB	Lower board to center ratchet pawls
125-GB	Take-up motion handle
170-GB	Lease stick

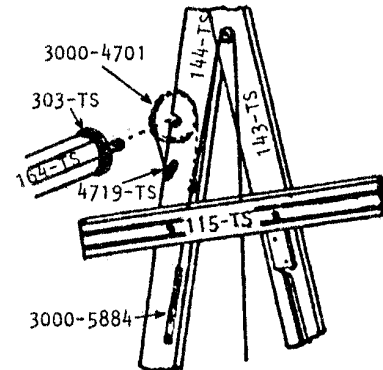
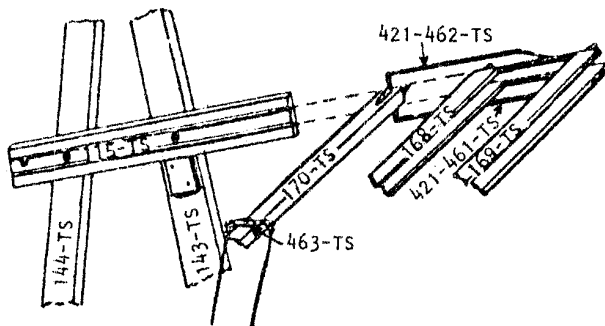
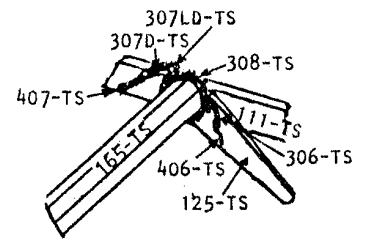
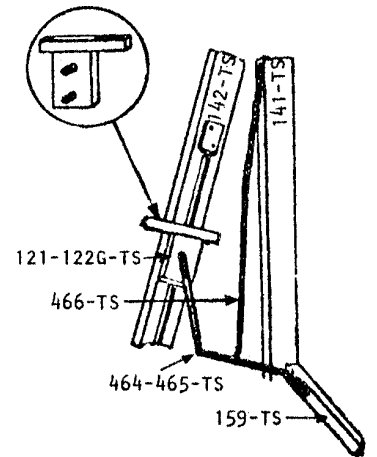
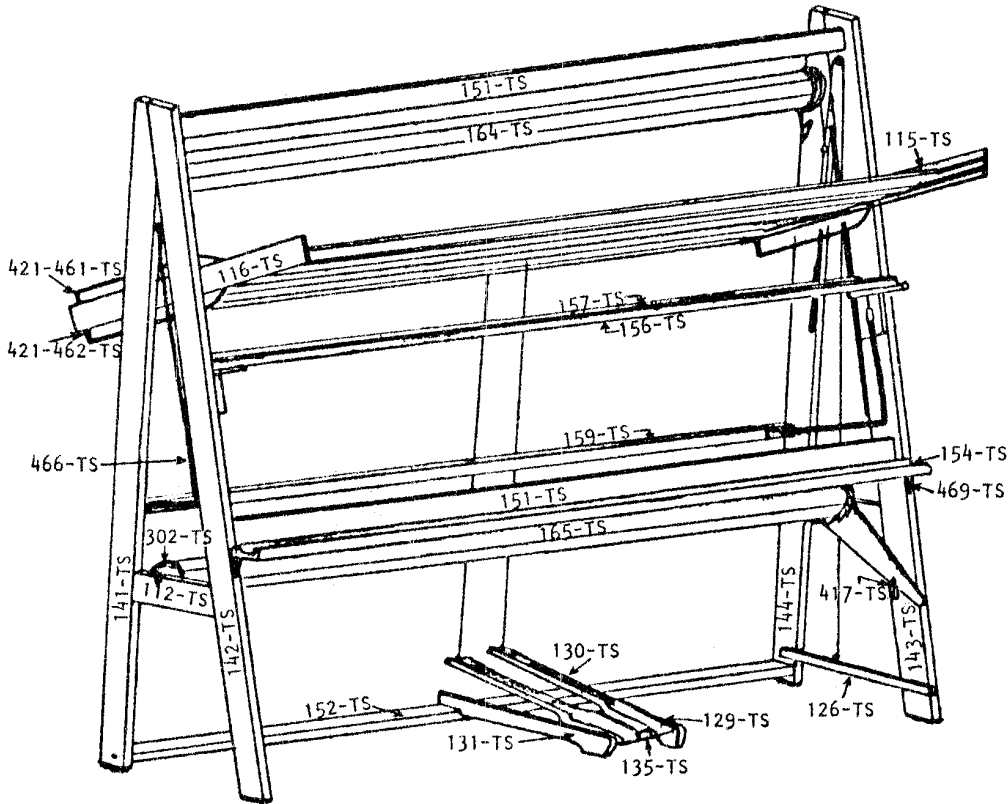
## METAL

6649-GB	Hook for heddle support
66n9-GB	Chain for heddle support
V50-GB	Tension screw (assembled)
406-GB	Strengthening piece for take-up motion handle
407-GB	Strengthening piece for ratchet pawls
417-GB	Take-up motion handle support
4319-GB	Beam latch

## Cast-iron

3U2-GB	Plain wheel
4939-GB	Square toothed ratchet wheel
5662-GB	Crank
306-GB	Ratchet pawl for take-up motion handle
307-GB	Ratchet pawl for beam

# TISSART



# TISSART

## WOOD

143-TS	Right front upright post
142-TS	Left front upright post
144-TS	Right back upright post (without beam latch)
141-TS	Left back upright post (without beam latch)
151-TS	Upper or middle cross-member
152-TS	Treadle set cross-member
154-TS	Shelf for tapestry accessories (+ iron-fitting)
111-TS	Right, lateral cross-member (without latch)
112-TS	Left lateral cross-member (without latch)
164--TS	Upper warp beam with wheels
165-TS	Lower cloth beam with wheels and canvas apron
115-TS	Right harness slide
116-TS	Left harness slide
121-122D-TS	Right reed support
121-1220-TS	Left reed support,
170-TS	Harness axle cross-member
168-TS	Harness back part
169-TS	Harness front part
156-TS	Batten handtree
157-TS	Flatten sley
159-TS	Batten axle cross-member
129-TS	Right treadle support
131-TS	Left treadle support
130-TS	Treadle
135-TS	Treadle spacer
132-TS	Treadle set board
125-TS	Take-up motion handle with ratchet pawl
126-TS	Brake treadle

## METAL

421-461-TS	Harness frame end assembled to right lower part of left upper part of iron-fitt. for harn. frame end
421-462-TS	Harness frame end assembled to right upper part of left lower part of iron-fitt. for harn. frame end
4249-TS	Spring clip for harness frame end
422-TS	Heddle support
423-TS	Hook for heddle support
463-TS	Lever connecting harness axle to treadles
464-465-TS	Arm operating the batten (assembled)
466-TS	Batten spring
467-TS	Treadle set axle rod
406-TS	Strengthening piece for take-up motion handle
4U7-TS	Strengthening piece for ratchet pawls
417-TS	Take-up motion handle support
412-TS	Beam latch
3000-4701	Flat steel brake circle
4719-TS	Strengthening piece for brake
3000-5884	Brake springy
469-TS I	ron-fitting for tapestry accessories shelf

## Cast-iron

302-TS	Plain wheel
303-TS	Brake drum
308-TS	Ratchet wheel
5862-TS	Crank
306-TS	Ratchet pawl for take-up motion handle
307D-TS	Ratchet pawl for cloth beam (short)
307LD-TS	Ratchet pawl for cloth beam (long)