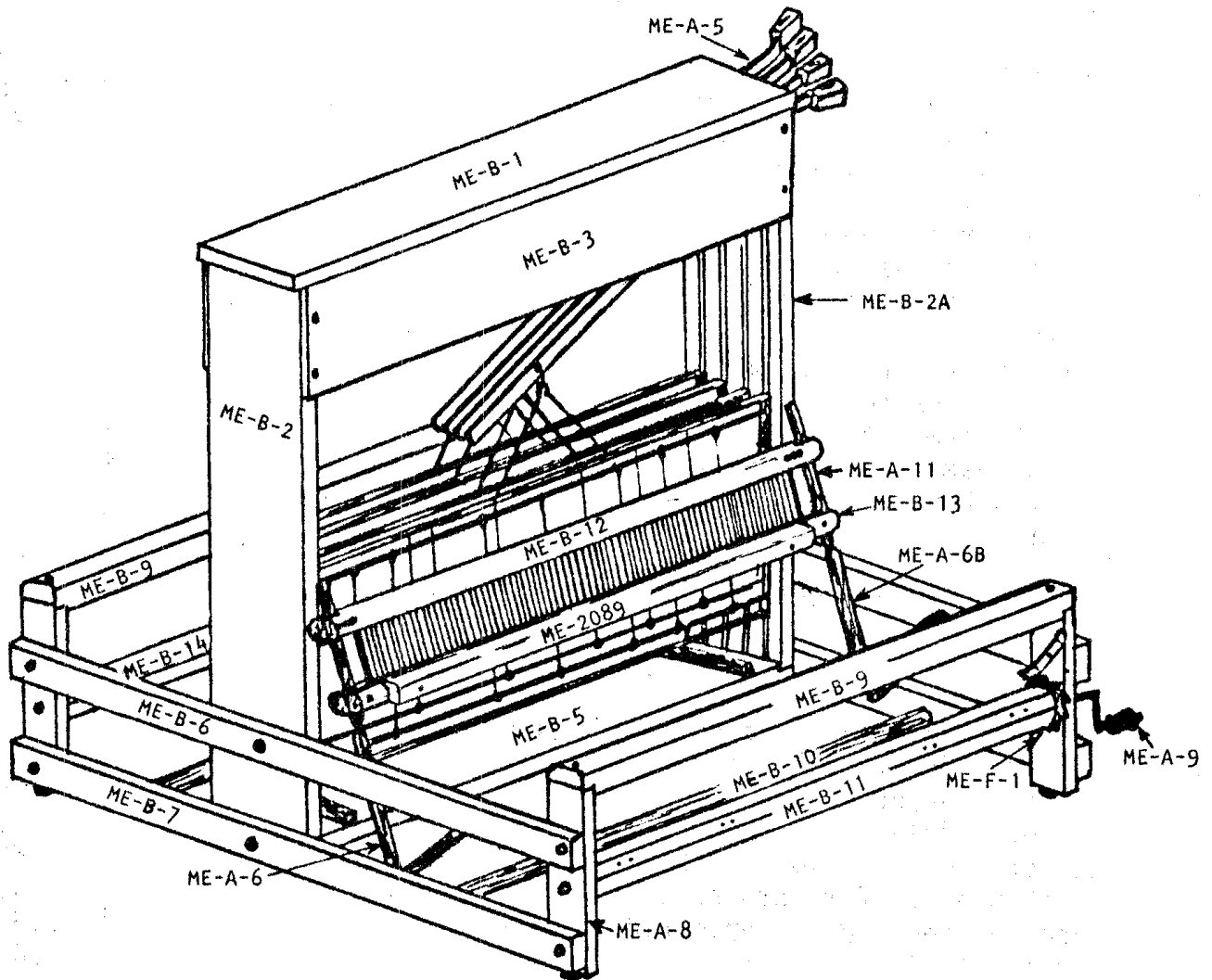


MECO



MECO

A **medico** is a loom like the meco but the levers are on the front right hand side.

WOOD

ME-4131	Harness frame without heddle support
2320-4131	Harness frame assembled
ME-422	Heddle support
ME-4299	Upper heddle support hook
ME-4279	Lower heddle support hook
ME-A-16	V-shaped rod for harness frame
ME-4299	Hook connecting V-shaped rod to lever
ME-A-4	Shaft for lever catch
ME-A-530	Lever with white tab
ME-A-540	Lever with blue tab
ME-A-550	Lever with yellow tab
Mg-A-560	Lever with red tab
ME-A-6	Left hook to keep loom in open position
ME-A-6B	Brake lever ass. to right Hand side hook
ME-A-7	Ratchet pawl for cloth beam (long)
ME-A-8	Ratchet pawl for cloth beam (short)
ME-A-9	Crank
ME-A-10	Shaft for left side of the beam
ME-A-11	Batten sword
ME-A-12	Brake spring
ME-A-13	Brake wire extension (4 harnesses)
ME-4819	Brake wire extension (8 harnesses)
ME-A-14	Brake wire circle

METAL

ME-4131	Harness frame without heddle support
2320-4131	Harness frame assembled
ME-422	Heddle support
ME-4299	Upper heddle support hook
ME-4279	Lower heddle support hook
ME-A-16	V-shaped rod for harness frame
ME-4299	Hook connecting V-shaped rod to lever
ME-A-4	Shaft for lever catch
ME-A-530	Lever with white tab
ME-A-540	Lever with blue tab
ME-A-550	Lever with yellow tab
Mg-A-560	Lever with red tab
ME-A-6	Left hook to keep loom in open position
ME-A-6B	Brake lever ass. to right Hand side hook
ME-A-7	Ratchet pawl for cloth beam (long)
ME-A-8	Ratchet pawl for cloth beam (short)
ME-A-9	Crank
ME-A-10	Shaft for left side of the beam
ME-A-11	Batten sword
ME-A-12	Brake spring
ME-A-13	Brake wire extension (4 harnesses)
ME-4819	Brake wire extension (8 harnesses)
ME-A-14	Brake wire circle

CAST-IRON

ME-F-1	Ratchet wheel
ME-F-2	Brake drum

PLASTIC

ME-P-2	Lever catch
ME-5102	White tab for lever
ME-5101	Blue tab for lever
ME-5104	Yellow tab for lever
ME-5103	Red tab for lever