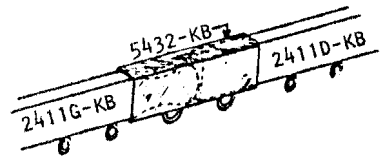
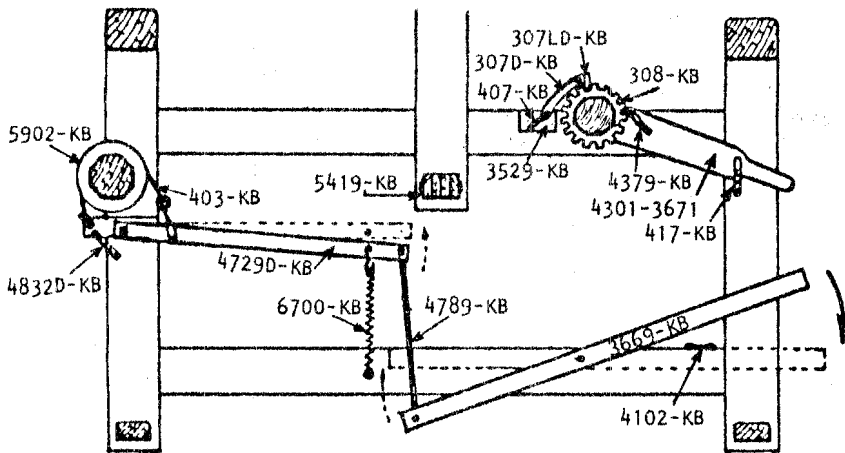
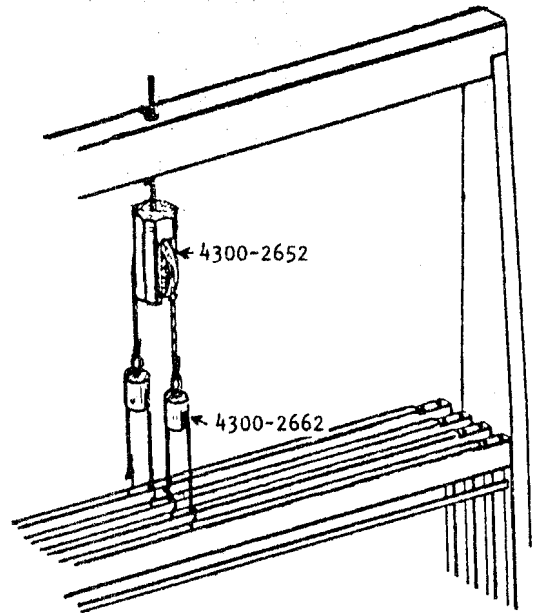
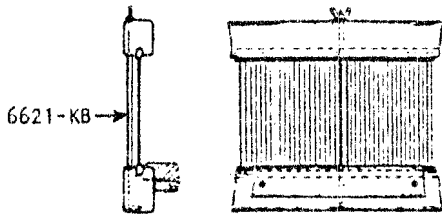
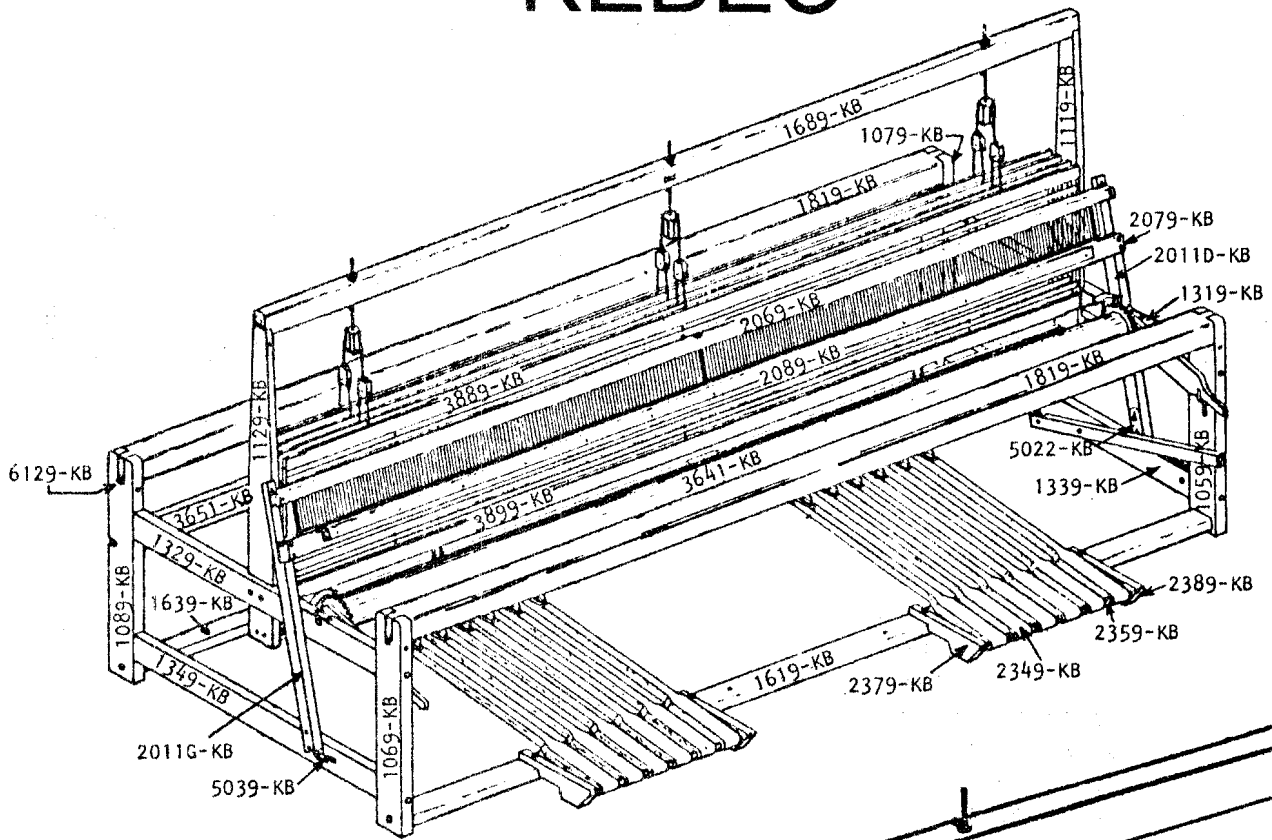


KEBEC



KEBEC 90" or 100"

WOOD

1119-KB	Right upright post (w/o lam support)
1129-KB	Left upright post (w/o lam support)
1689-KB	Upper cross-member holding pulleys
1059-KB	Right front post
1069-KB	haft front psot
1079-KB	'fight back post (w/o beam latch)
1089-KB	Left back post (w/o beam latch)
1.319-KB	Right upper lateral cross-member (without latch)
1329-KB	Left upper lateral cross-member (without latch)
1339-KB	Right lower lateral cross-member (w/o strengthening piece for batten sword)
1349-KB	Left lower lateral cross member (without " ")
1619-KB	Treadle set cross-member
1639-KB	Back cross-member
1819-KB	Breast or thread beam
3641-KB	Cloth beam w/ wheels & canvas apron
3651-KB	Warp beam with wheels
2011D-Kb	Right batten sword (w/ iron-fitting)
20116-K13	Left batten sword (w/ iron-fitting)
2069-KB	Batten handtree
2079-KB	Batten sley
2089-KB	Shuttle race
3889 -KB	Harness upper part
3899-KB.	Harness lower part
2411D-KB	Right lam
24116-KB	Left lam
2389-KB	Right treadle set support
2379-KB	Left treadle set support
2349-KB	Treadle
2359-1(B	Treadle spacer
2329-KB	Treadle set board
3529-KB	Board to center right ratchet pawls
3539-KB	Board to center left ratchet pawls
4301-3671	Right take-up motion handle with aluminum pawl
4302-3671	Left take-up motion handle w/cast-iron ratchet pawl
3669-KB	Brake treadle

METAL

4300-2652	Large pulley (assembled)
4300-2642	Small pulley with hook
421-KB	Harness frame ends (pair)
4249-KB	Spring clip for harness-frame end
422-KB	Heddle support.
55-KB	Spring hook for heddle support,
423-KB	Hook for heddle support
427-KB	Hook for harness frame
6621-KB	Rod connecting center of batten handtree to batten sley
5022-KB	Iron-fitting for batten sword
5039--KB	Strengthening piece for batten sword
6129-KB	Iron-fitting for breast beam
5419-KB	Lam support,
5432--KB	Connector for center of lams
4519-KB	Treadle set 'axle rod
4719-KB	Strengthening piece for take-up motion handle
407-KB	Strengthening piece for ratchet pawls

KEBEC 90" or 100" (cont.)

417-KB	Take-up motion handle support
4319-KB	Beam latch
403-KB	Steel brake wire (specify the length of the wire)
4832D-KB	Strengthening piece for brake (right)
48326-KB	Strengthening piece for brake (left)
4729D-KB	Brake lever (right)
47296-KB	Brake lever (Left)
6700-KB	Brake spring
4789-KB	Rod connecting brake treadle to brake lever
3000-4521	Treadle hooks (set, of 6)

CAST-IRON

59054B	Plain wheel for warp beam
5902-KB	Brake drum
308-KB	Ratchet wheel for cloth beam (right)
301-KB	Ratchet wheel for cloth beam (left)
5862-KB	Crank
4379-KB	Ratchet pawl for right take-up motion handle (aluminum)
1172-KB	Ratchet pawl for left take-up motion handle
307D-KB	Ratchet pawl for cloth beam(short,right)(aluminum)
3076-KB	Ratchet pawl for cl.oth beam (short, left)
307LD-KB	Ratchet pawl for cloth beam(long,right)(aluminum)
307LG-KB	Ratchet pawl for cloth beam (long, right)
4102-KB	Stopper for brake treadle

PLASTIC

1302-KB	Beater bumper (upright post)
---------	------------------------------