

# Leclerc Looms

Since 1876



1573 Savoie  
C. P. 4 Plessisville, Qc.  
G6L 2Y6  
TEL: 819-362-7207  
FAX: 819-362-2045  
www.leclerclooms.com  
info@leclerclooms.com

## NILUS II 4s

|     |           |
|-----|-----------|
| 36" | 1029-0000 |
| 45" | 1030-0000 |
| 60" | 1031-0000 |

On receiving the loom, unpack and lay out the loom components.  
Do NOT discard any packing material until all parts are inventoried.

Check the parts received against the parts list on pages #2 to #7 of the assembly instructions. Report any discrepancies to Leclerc immediately.

To assemble this loom, a minimum of 2 people are needed but it is recommended you use 3.

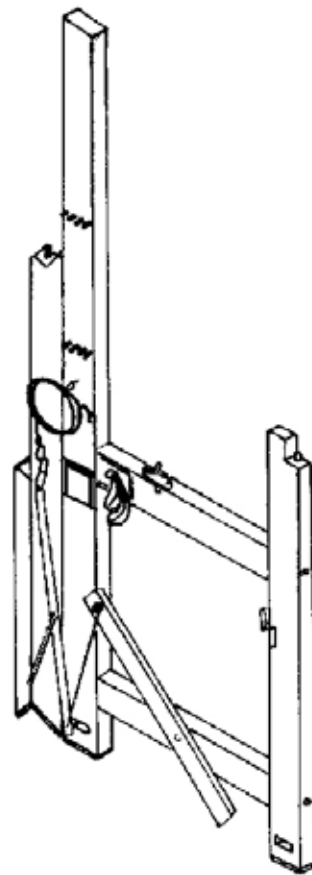
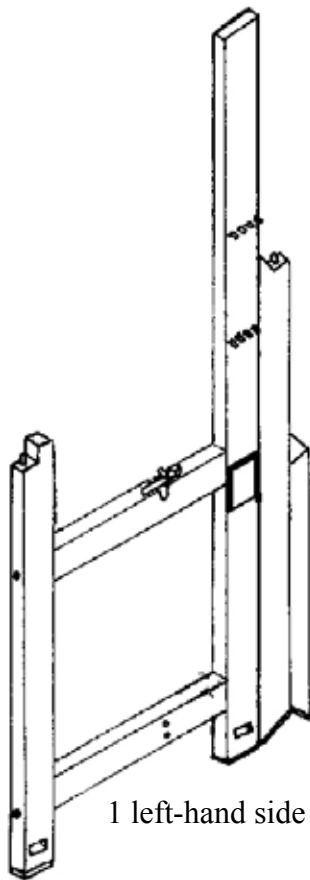


Loom Prepared by: \_\_\_\_\_

Inspected by: \_\_\_\_\_

Date: \_\_\_\_\_

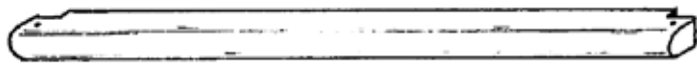
# PARTS LIST



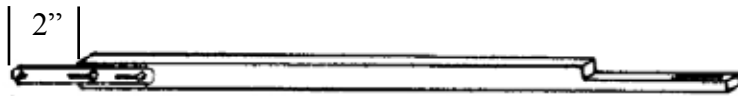
Note for Leclerc in French :



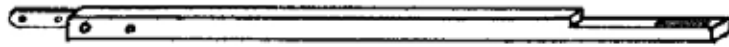
Faire les avant trous pour le frein d'ensouple  
Faire les petit trous dans les montants pour les baguettes d'encroix.  
Mettre les bloc de boite à marmousets.  
Pédale de frein de 26"



2 breast beams  
(43.5", 52 5/8", 68 1/8")

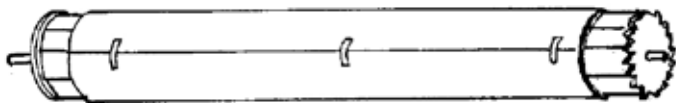


1 left sword



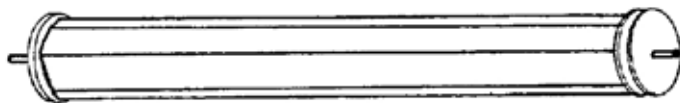
1 right sword

Vérifier que les bagues entre bien dans les pattes et traverses



1 cloth (front) beam  
(38 1/2", 47 5/8", 62 9/16")

Avec Bagues (Bushings)



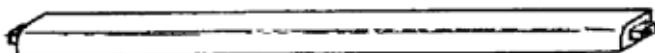
1 warp (back) beam  
(38 1/2", 47 5/8", 62 9/16")



1 batten handtree  
(46 3/4", 55 3/4", 70 3/4")

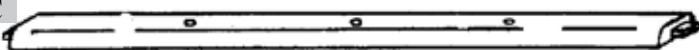


1 batten sley with shuttle race  
(46 3/4", 55 3/4", 70 3/4")

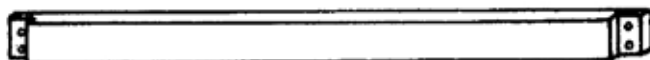


1 Middle set cross-member  
(40 1/8", 49", 64")

15 7/8" CC



1 lower middle cross-member  
(40 1/8", 49", 64")



1 Front cross-member  
(40 1/8", 49", 64")



1 cross-member connecting the  
stabilizing posts

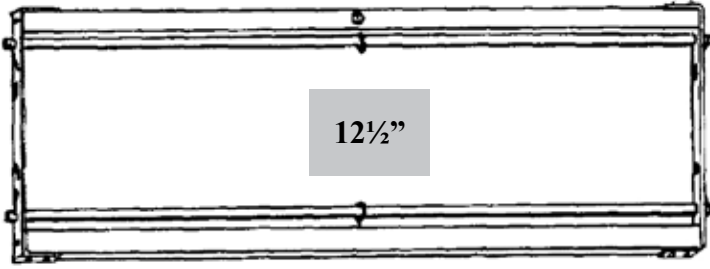


1 apron

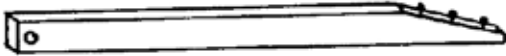
LECLERC NOTE:  
Avec la rondelle de bois



1 cloth take-up motion handle



4 shafts



6 treadles with extension



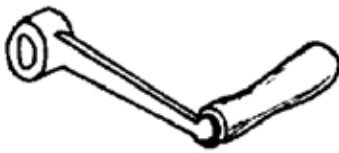
3 treadle supports



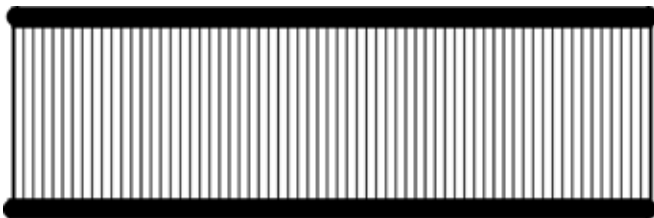
1 treadle set rod 18" with one pushnut



1 more Treadle set Pushnut 7/16"



1 Crank



1 reed



2 lease sticks



4 warp rods



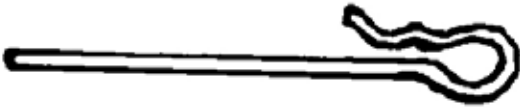
3 screwdrivers (Black, Red and Green)



1 aluminum wrench



1 adjustable wrench



1 set of 6 treadle hooks 7" # 3000-4521



1 sets of 12 treadle cords 9" #3400-7011



1 boat shuttle (Reg.)



12 plastic bobbins 4"



1 threading hook



2 pkg of cords (5 yds each)

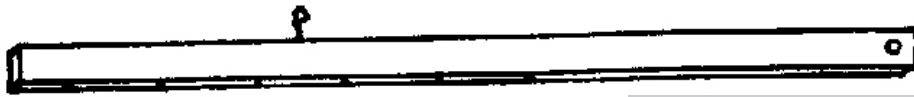


1000 heddles (36" loom)

1200 heddles (45" loom)

1500 heddles (60" loom)

12½"



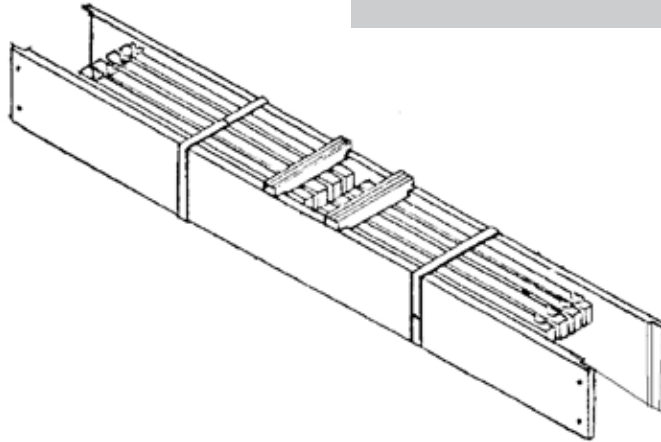
4 lams

36" = 27 5/8"

45" = 32 1/8"

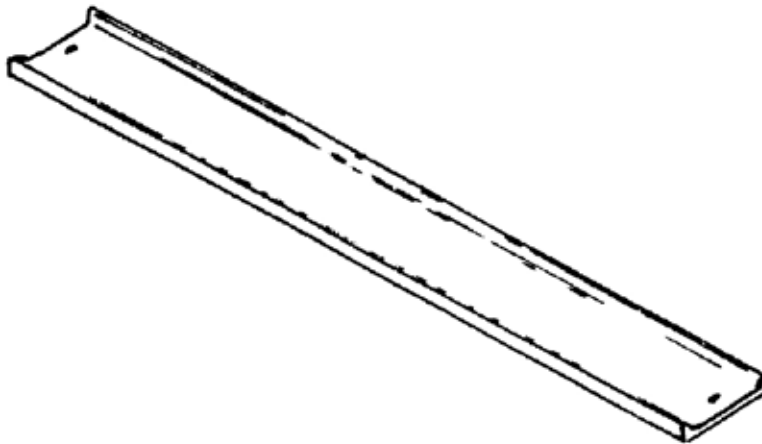
60" = 39 5/8"

Note for Leclerc in French :  
Toujours vérifier si le crochet  
à ros passe bien dans les trous  
des contremarches.



1 BOX JACKS (4)

**Do not remove saran wrap  
before the unit is installed  
on the loom.**



1 CASTLE TOP

36"=41 5/8"

45"= 50 3/4"

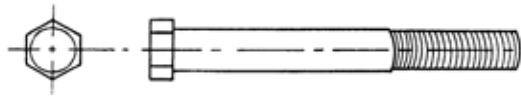
60"= 65 15/16"



1 warp beam  
advance control  
system

2 vis no 12, 1"

Note: Faire les avant trous sur la patte



Machine bolts  
 4X - 3/8" x 5"  
 1X - 1/4" x 3"



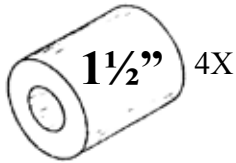
Carriage Bolts  
 4X - 1/4" x 2 1/2"  
 4X - 5/16" x 2 1/2" (back hooks)  
 3X - 5/16" x 4"  
 2X - 5/16" x 2 1/4"



4X - 3/8"  
 9X - 5/16"  
 4X - 9/16" (treadle set)  
 2X - 1/4"



HEXAGON NUTS  
 2X - Nylon auto lock 5/16"



Wooden spacer

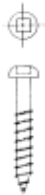


SQUARE NUTS  
 4X - 3/8"  
 8X 5/16"  
 1X 1/4" (lams support)



Wing nuts

2 X - 1/4" (6 mm)  
 5X - 5/16" (8 mm)



Round head screw

4X - #12 x 1 1/2" (back board)  
 8X - #12 x 1 1/2" (jack box)  
 2X - #12 x 1 1/2" (castle top)  
 2X - #14 x 2 1/2" (treadle set)



1 instruction Video showing all stages of installation.



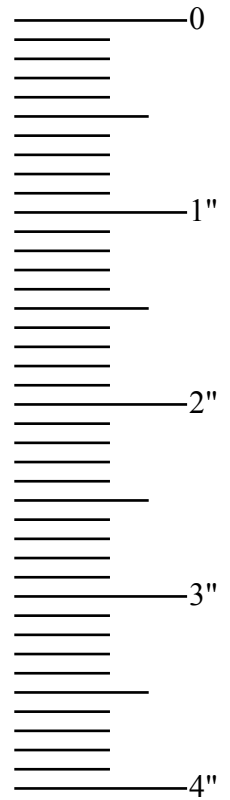
2X eye screws

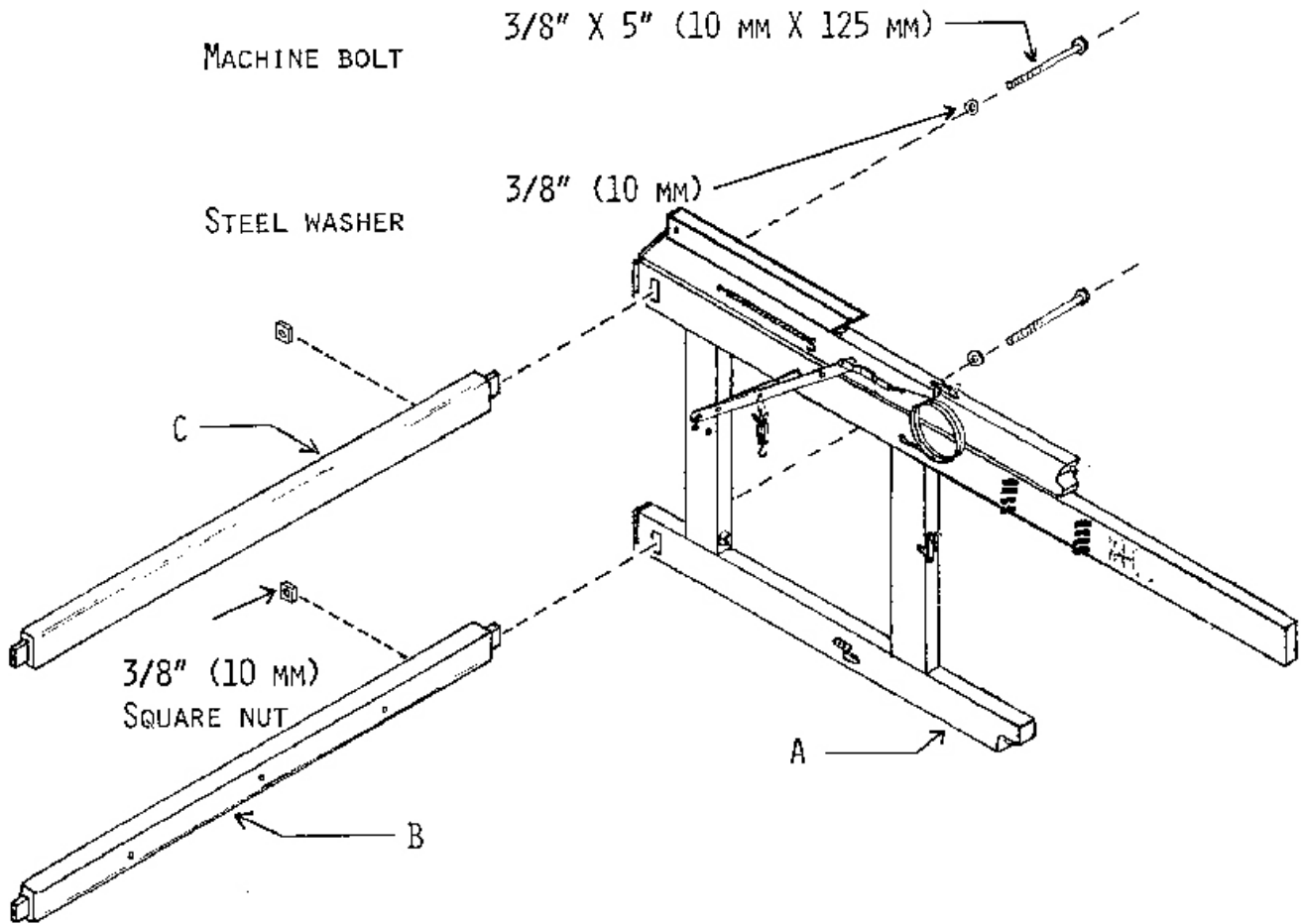


1 book Warp & Weave



Tacks for canvas





Place right-hand side A of the loom on its front.

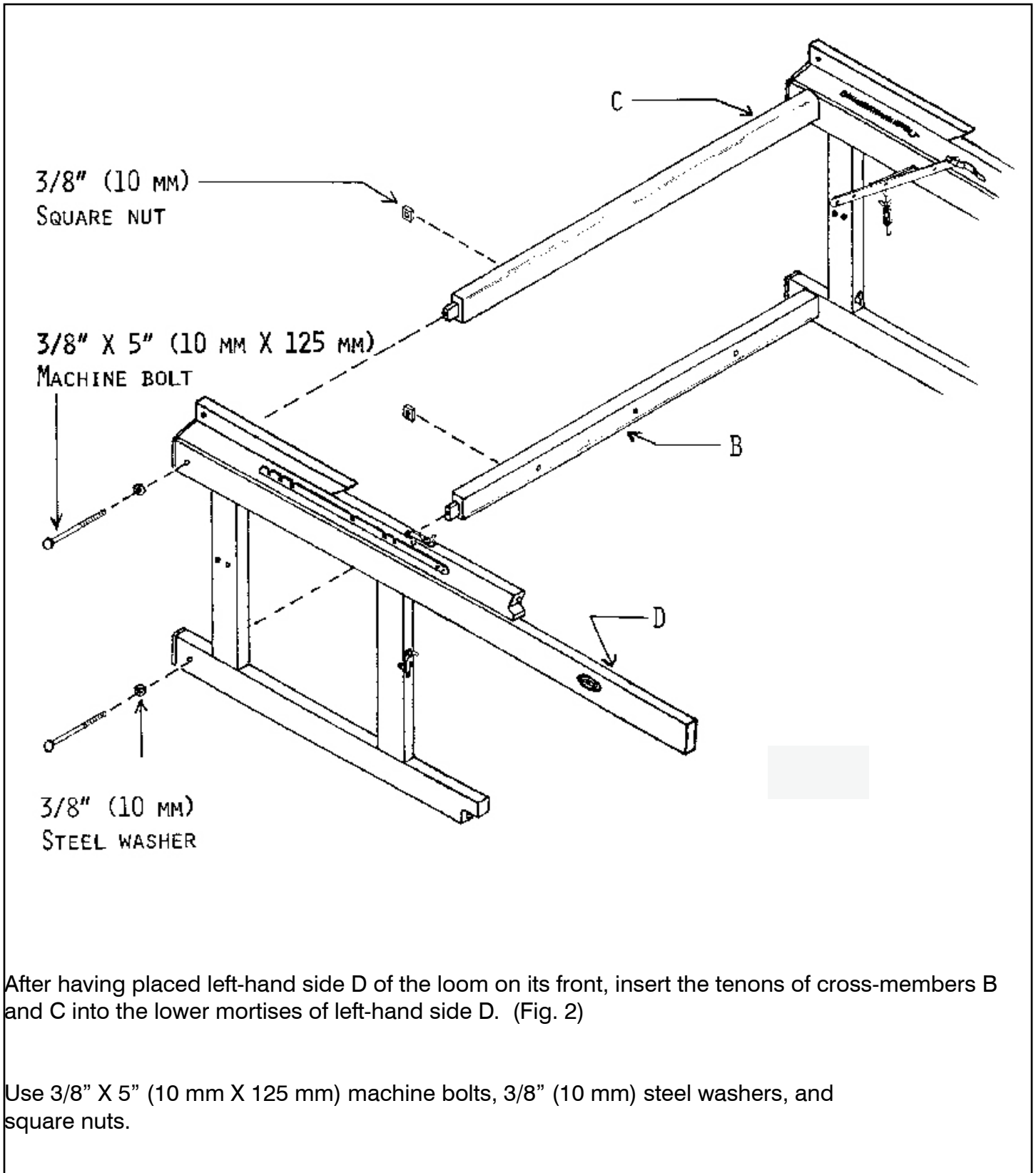
Insert the tenon of lower front cross-member B into the lower front mortise of right-hand side A.  
 NOTE: The lower front cross-member has 3 holes drilled through it.

Using the wrench supplied with the loom, affix cross-member B with a 3/8" X 5" (10 mm X 125 mm) machine bolt, a 3/8" (10 mm) steel washer, and a square nut.

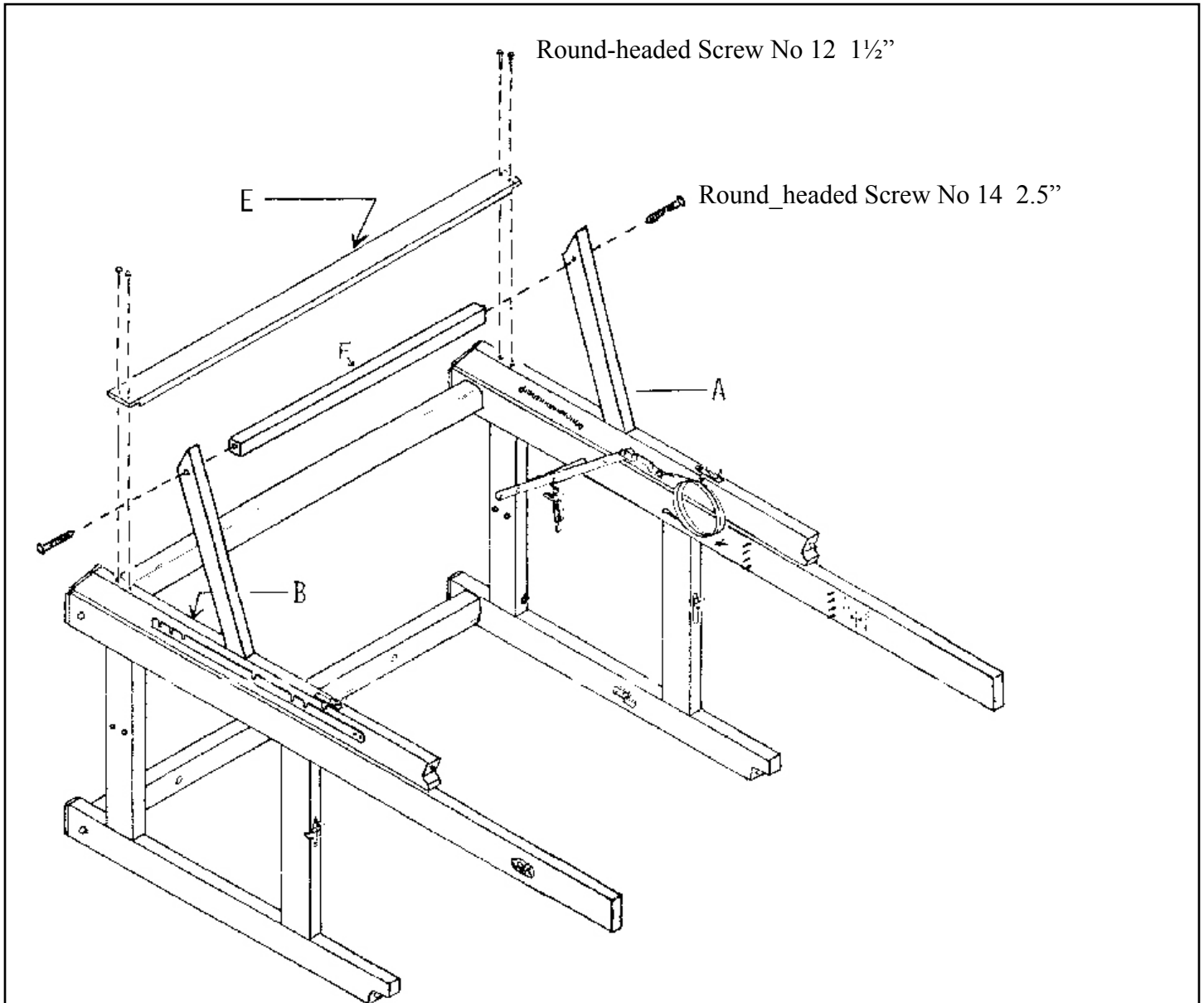
Insert a tenon of lower back cross-member C into the lower back mortise of right-hand side A.  
 NOTE: The lower back cross-member C has 2 holes drilled through it.

Affix cross-member C with a 3/8" X 5" (10 mm X 125 mm) machine bolt, a 3/8" (10 mm) steel washer, and a square nut





**ATTENTION: Application of soap to the screws will make their insertion easier.**

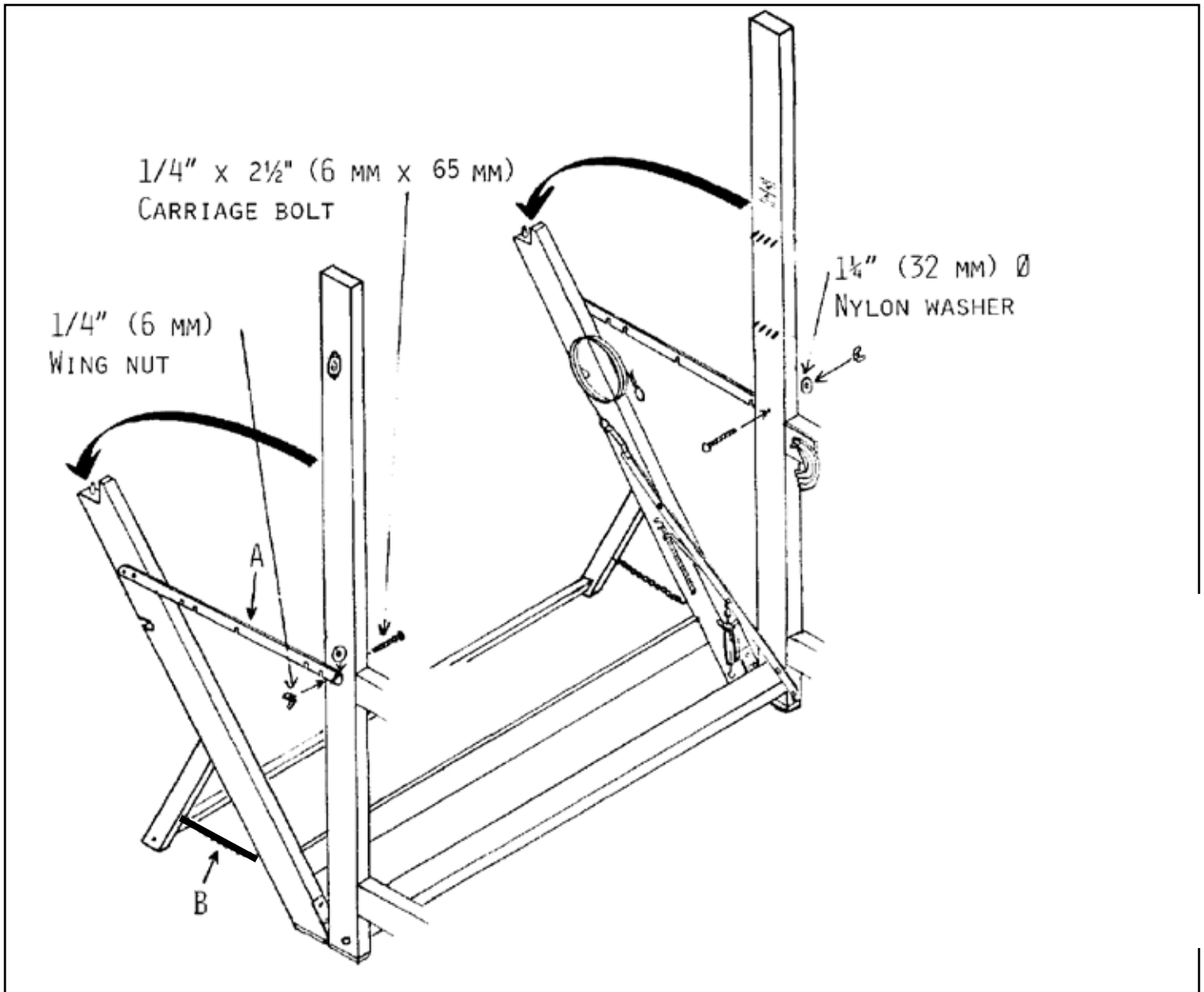


Using four 1½" (40 mm) round-headed screws No 12, affix back cross-member E to back posts C and D.

**NOTE:**

If cross-member E does not fit between posts A and B, insert it higher between the posts then slide it down. Application of soap to the screws will make their insertion easier.

Using two, 2½" (65 mm) round-headed screws No. 14, affix the cross-member for the stabilizing posts F.

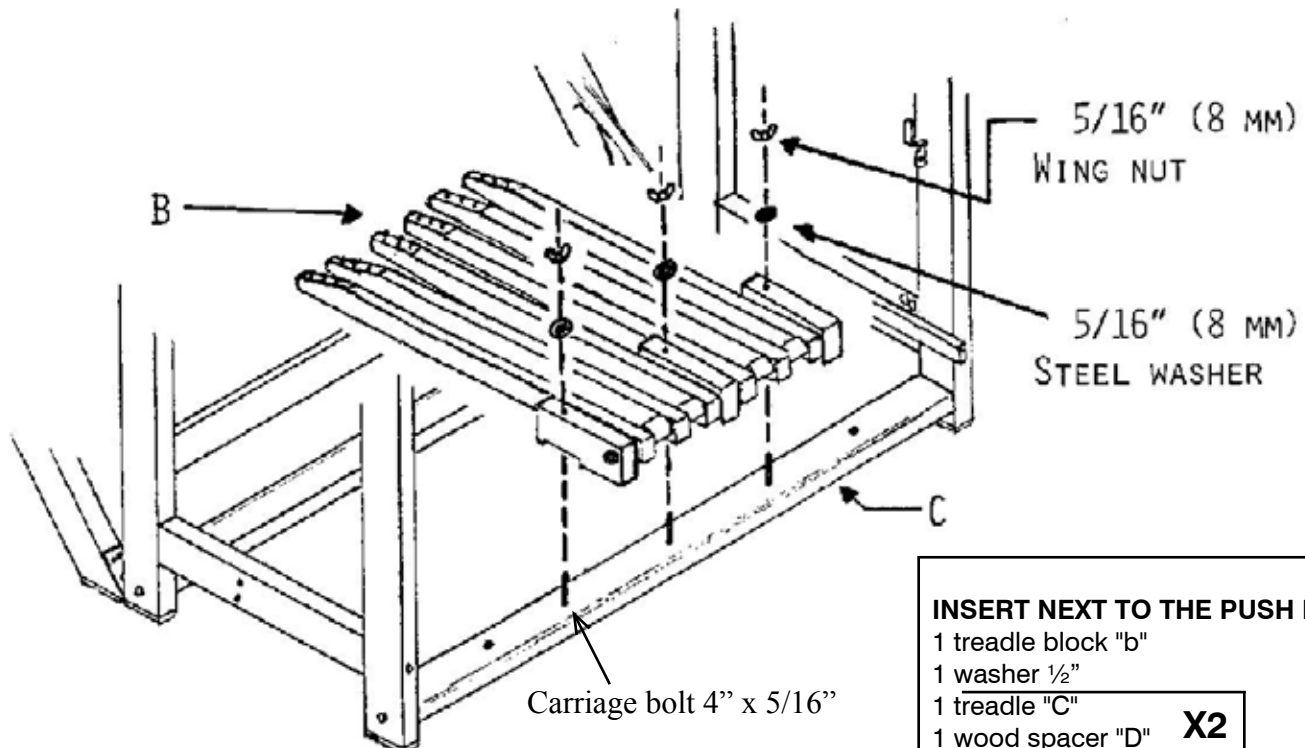
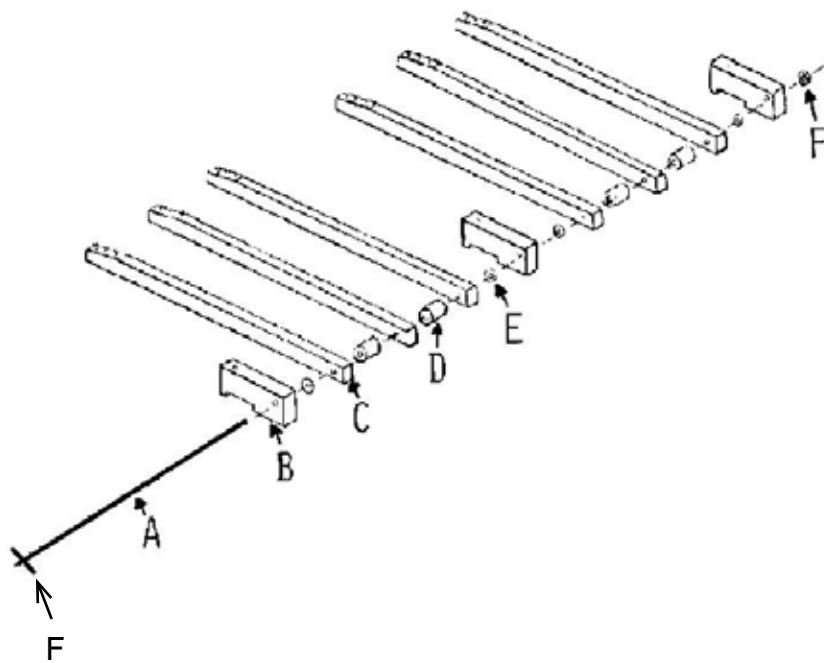


Unfold the back section of the loom and lock it in place with metal hooks A.

Insert a 1/4" x 2 1/2" carriage bolt into the holes of the uprights. The nylon washer is already installed in the upright. Fasten the bolt with a 1/4" wing nut.

Be sure that the stabilizing posts are open and flat on the floor. Affix two hooks into the predrilled holes.

Affix lower hooks in place.



Assemble the treadle set as illustrated.

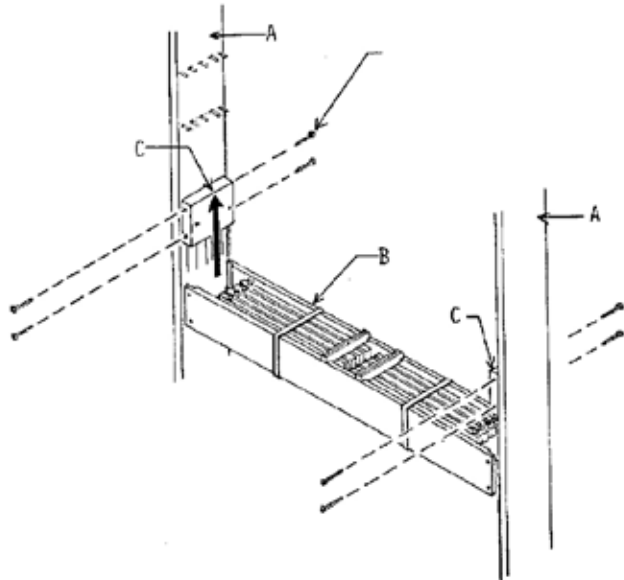
If you do not want to have the wing nuts on the top of the treadle set, insert the carriage bolts 4" x 5/16" (from the top) into the treadle set supports and the treadle cross-member. Affix them using 3 x 5/16" square nuts and 3 x 5/16" steel washers.

For more information see the Video.

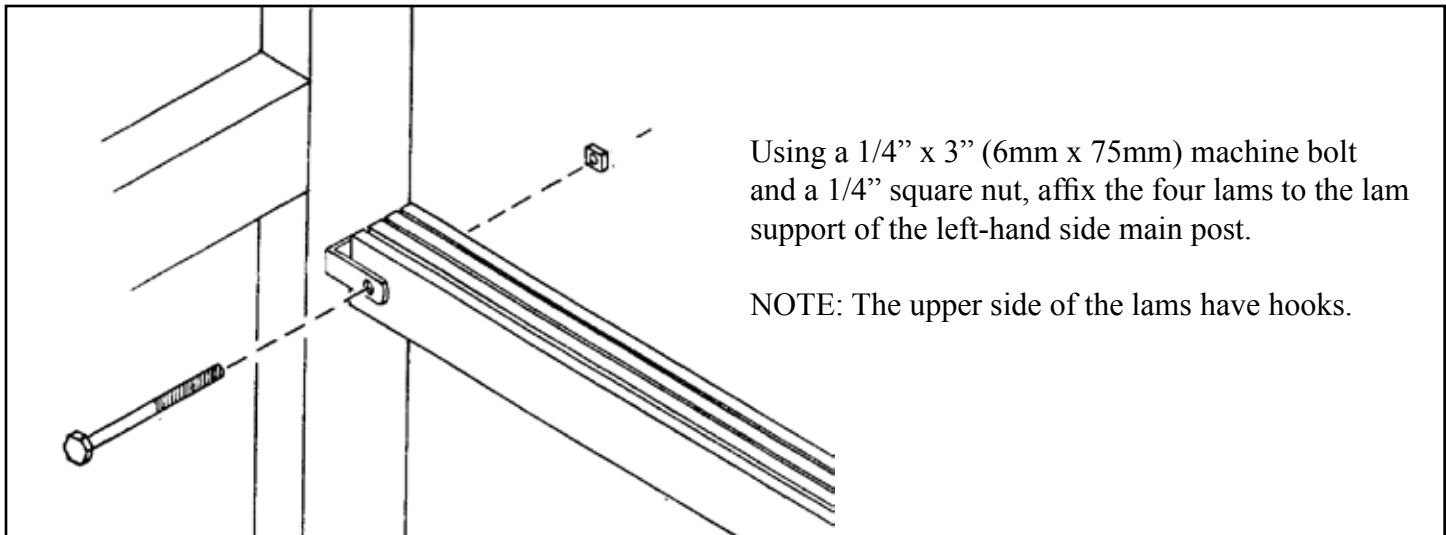
- |   |           |
|---|-----------|
| <b>INSERT NEXT TO THE PUSH NUT "F":</b> |           |
| 1 treadle block "b"                     |           |
| 1 washer 1/2"                           |           |
| 1 treadle "C"                           |           |
| 1 wood spacer "D"                       | <b>X2</b> |
| 1 treadle                               |           |
| 1 washer 1/2"                           |           |
| 1 treadle block                         |           |
| 1 washer 1/2"                           |           |
| 1 treadle                               |           |
| 1 wood spacer                           | <b>X2</b> |
| 1 treadle                               |           |
| 1 washer 1/2"                           |           |
| 1 treadle block                         |           |
| 1 PUSH NUT "F"                          |           |

NOTE: Install the second side push nut only after the set is affixed to the loom.

**ATTENTION: Application of soap to the screws will make their insertion easier.**

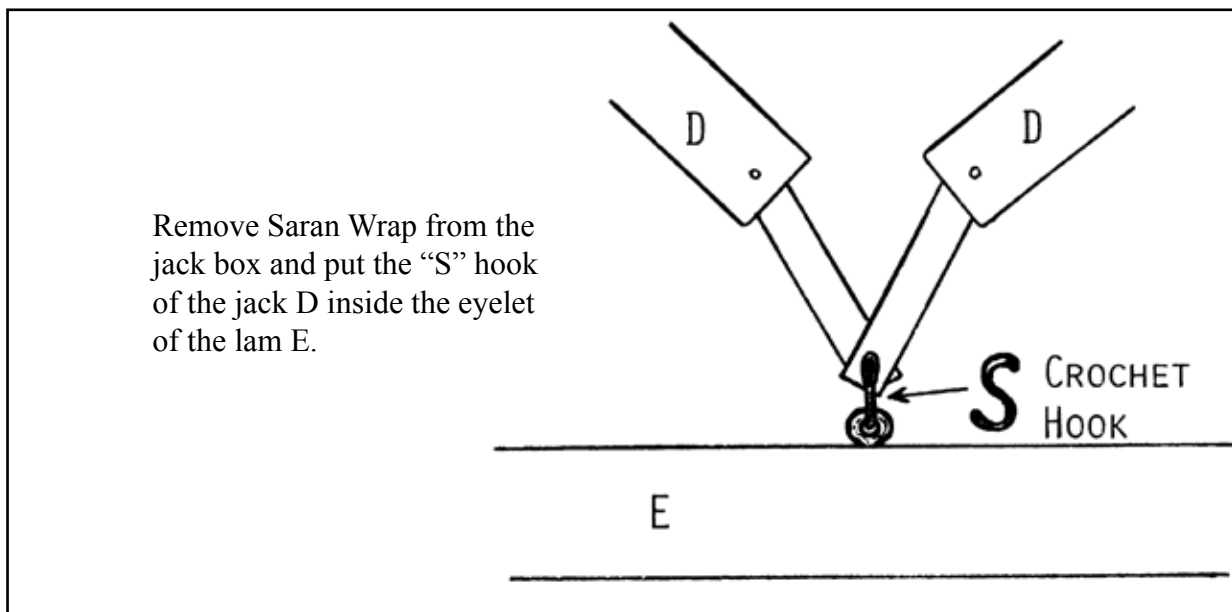


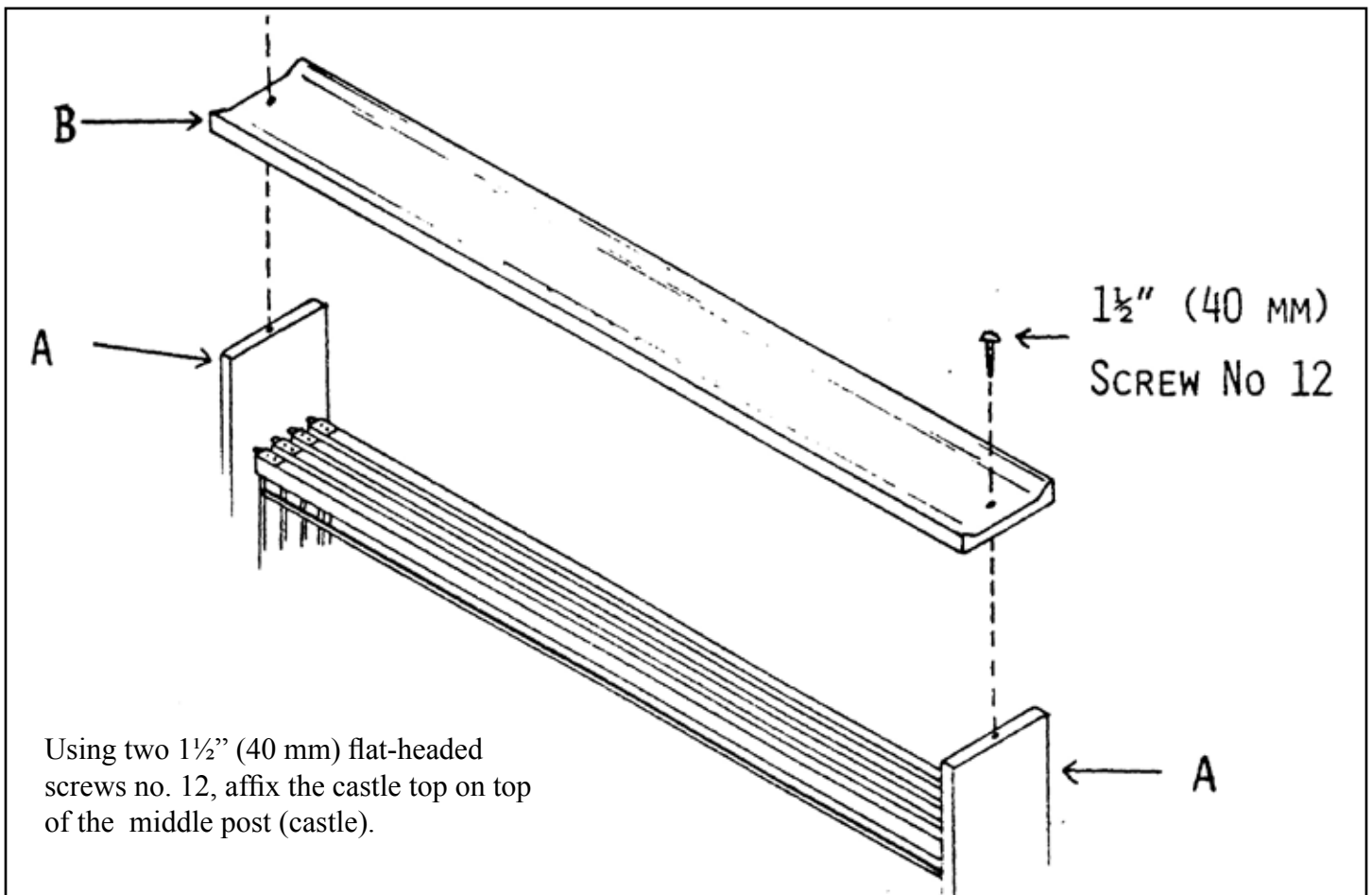
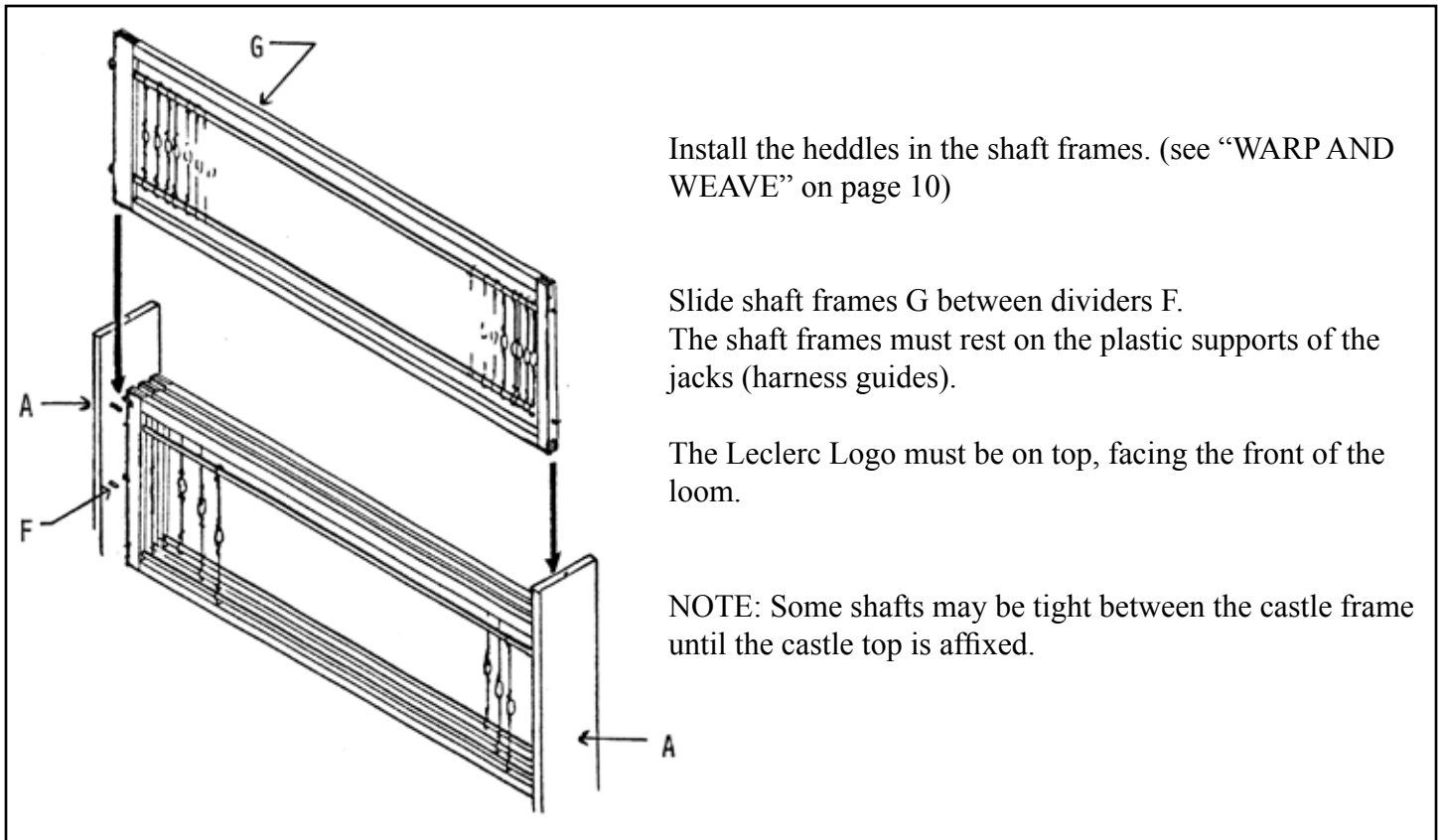
Slide jack box B along the middle posts A, from bottom to top, and affix it to blocks C using eight 1½" (40 mm) round-headed screws no. 12.

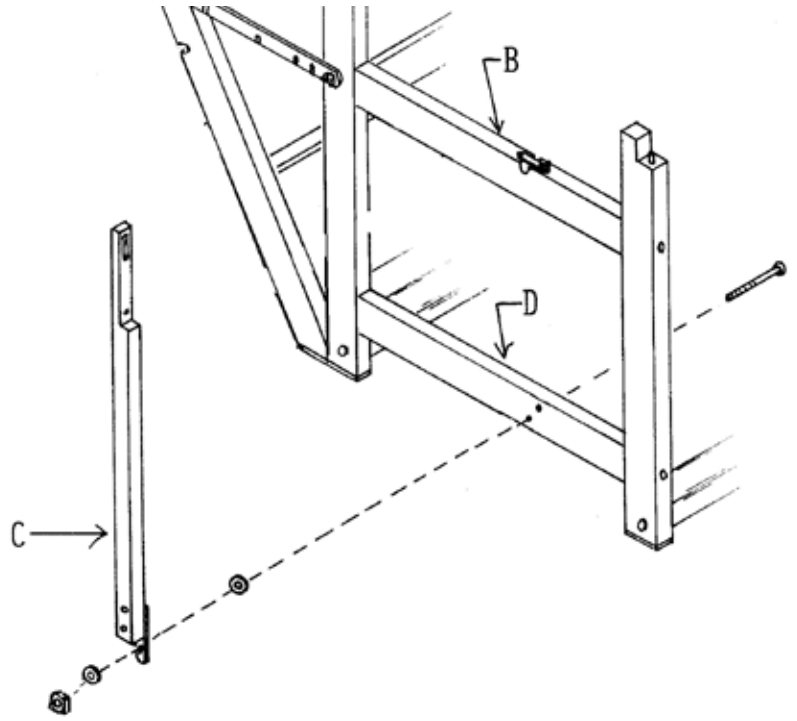


Using a 1/4" x 3" (6mm x 75mm) machine bolt and a 1/4" square nut, affix the four lams to the lam support of the left-hand side main post.

NOTE: The upper side of the lams have hooks.







Affix batten swords C to lower lateral cross-members D. Insert the two 5/16 x 2 1/4" carriage bolts to the **LOWER HOLE**.

Hammer these carriage bolts into the hole so it will lock while you will screw in the auto lock nuts.

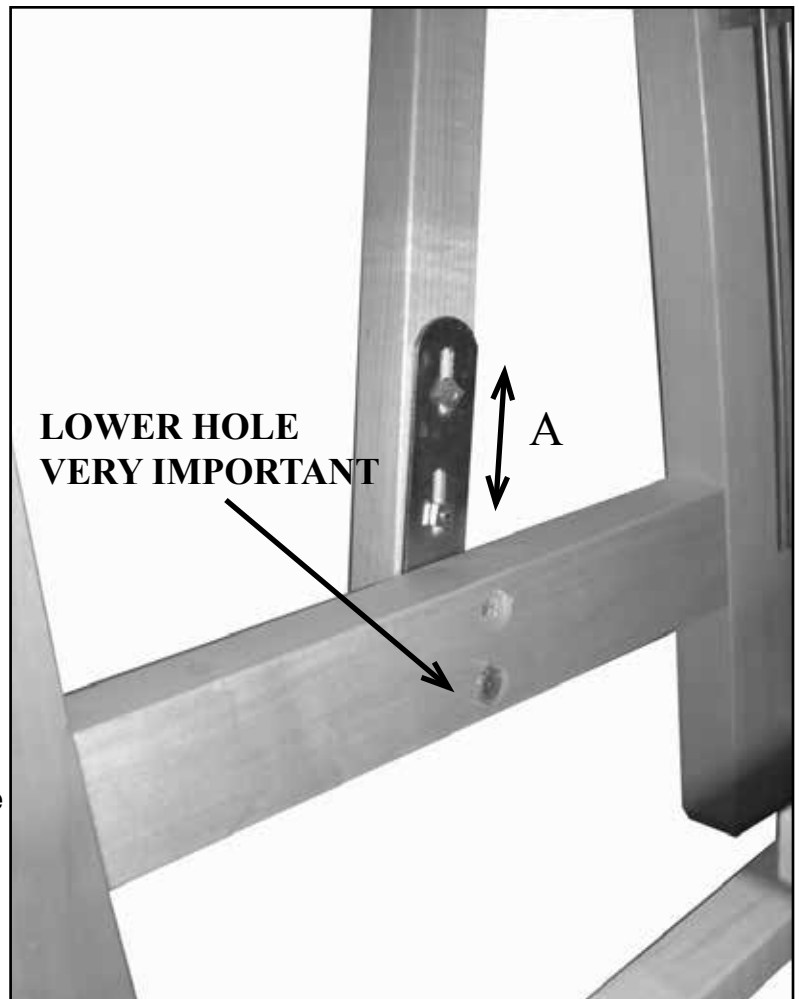
You also need four steel washers and two 5/16" Autolock nuts. Place a steel washer between the Autolock nut and the sword and another one between the sword and the cross-member.

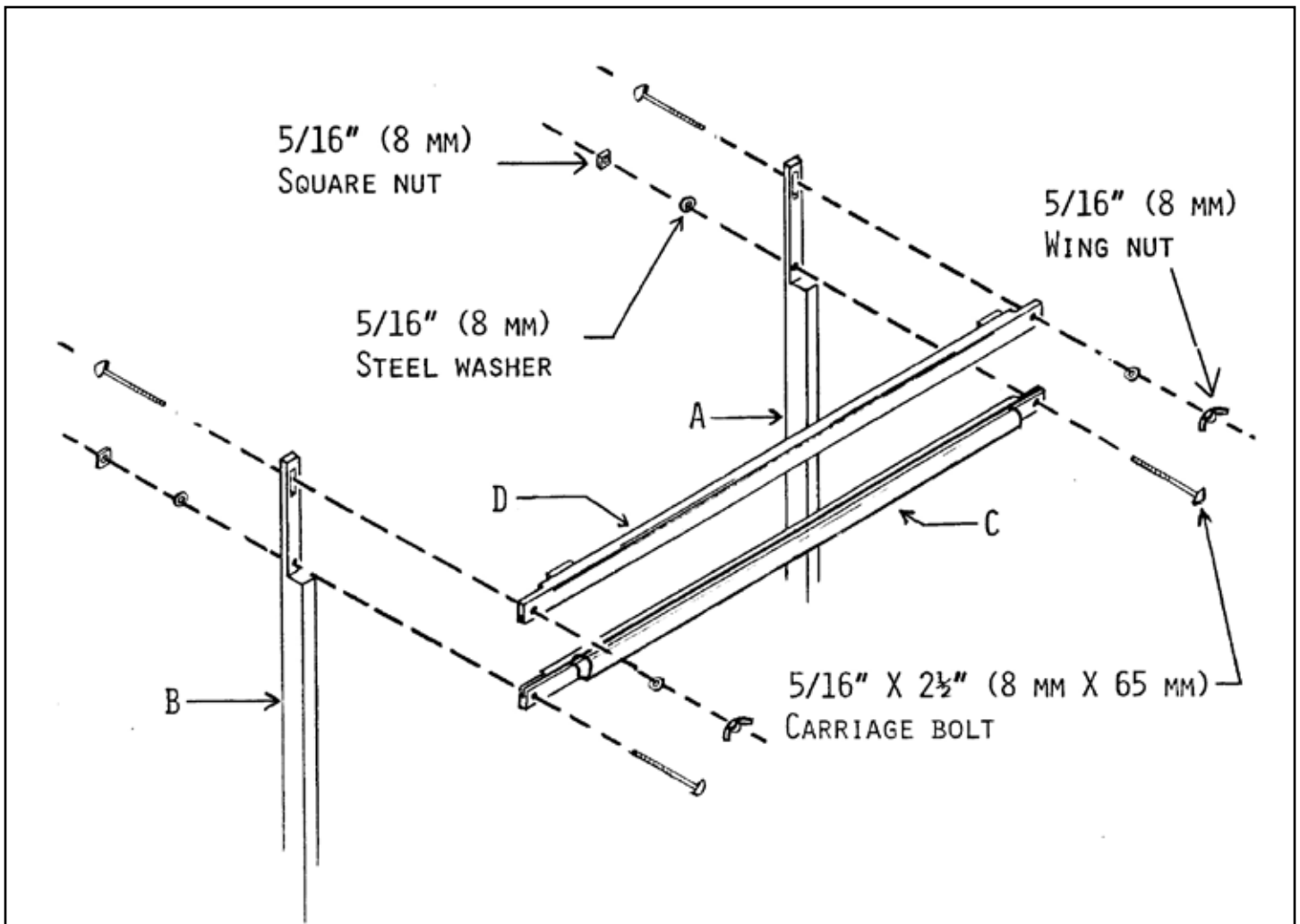
Do not tighten the bolts too much as the batten must move easily.

To Adjust the Beater height;

With Warp drawn in, under tension and Shafts at rest(down), set the height of the Race so it just kisses the Warp ends evenly, side to side.

The adjustment (A) is made by raising or lowering the Beater with the lower Laysword metal Plate.





Using two (2) 5/16" x 2½" (8 mm x 65 mm) carriage bolts, two 5/16" (8 mm) steel washers, and two square nuts, affix batten sley C to the lower holes of swords A and B.

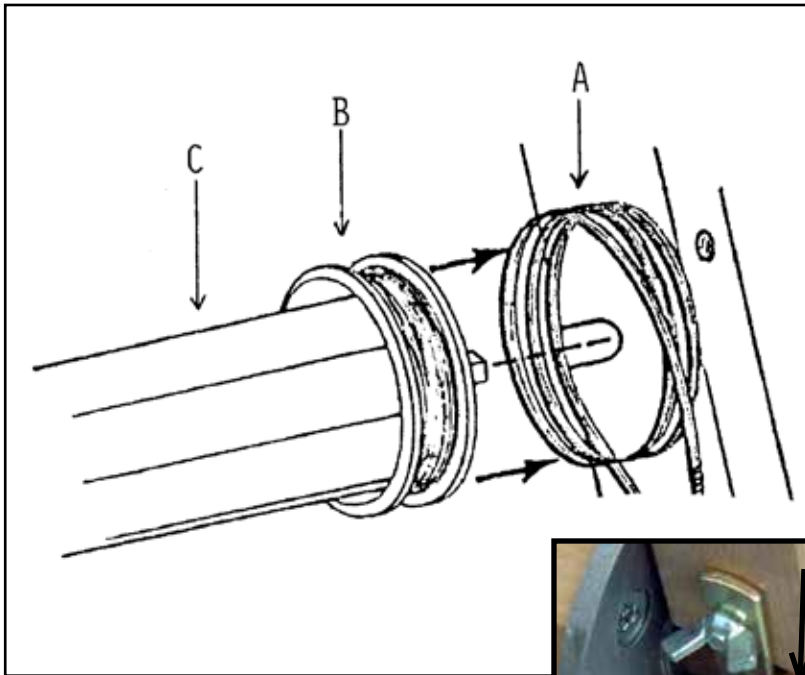
NOTE: The batten sley does not have polyvinyl bumpers but it has a shuttle race.

Using two 5/16" X 2½" (8 mm X 65 mm) carriage bolts, two 5/16" (8 mm) steel washers, and two wing nuts, affix batten handtree D to swords A and B.

NOTE: The batten handtree has polyvinyl bumpers.

The slots of the batten sley and handtree must face each other.

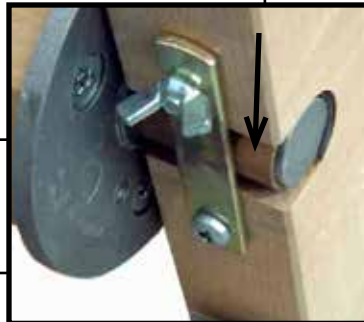




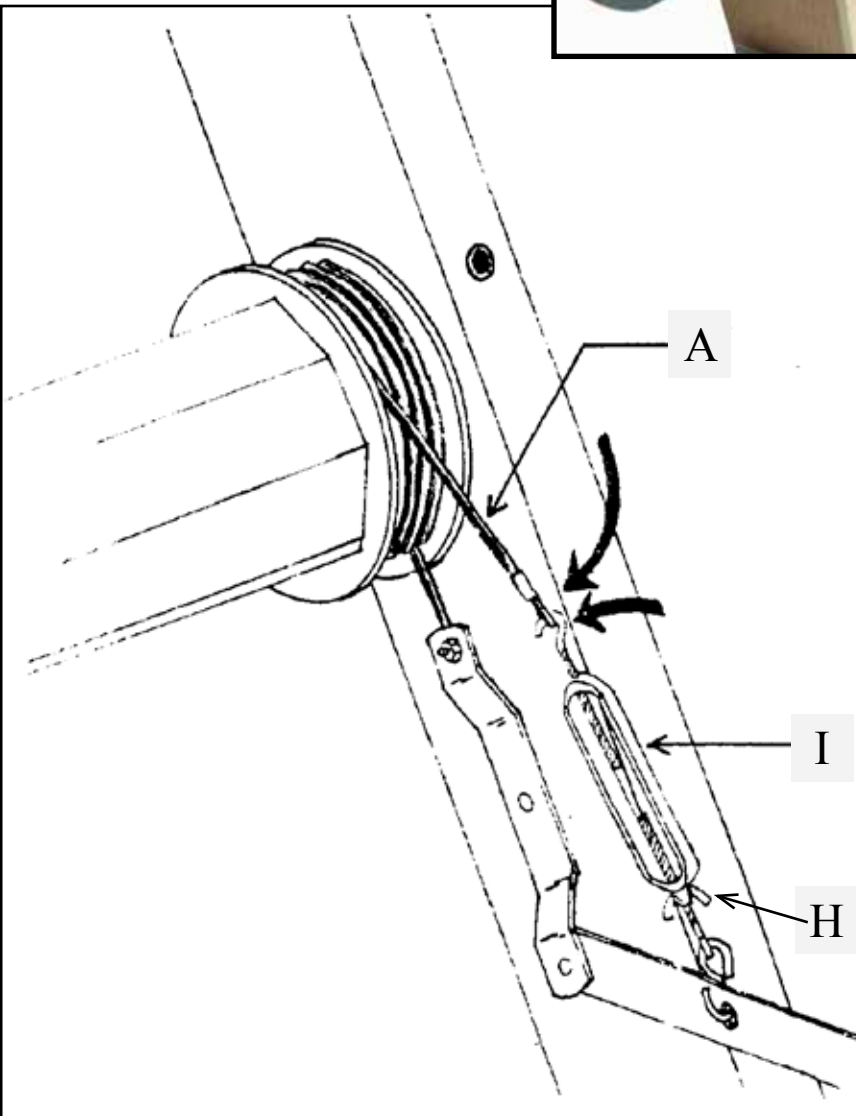
## WARP BEAM INSTALLATION

Hold the circular wire brake shoe A slightly to the rear of the loom, **but do not unroll it.**

Insert the brake drum B into the wire brake shoe A. Then, install the ends of the warp beam C into the grooves of the back posts.



In order to improve the rotation of the warp beam, special bushings are supplied. Make sure to leave them in place when installing the warp beam on the loom.

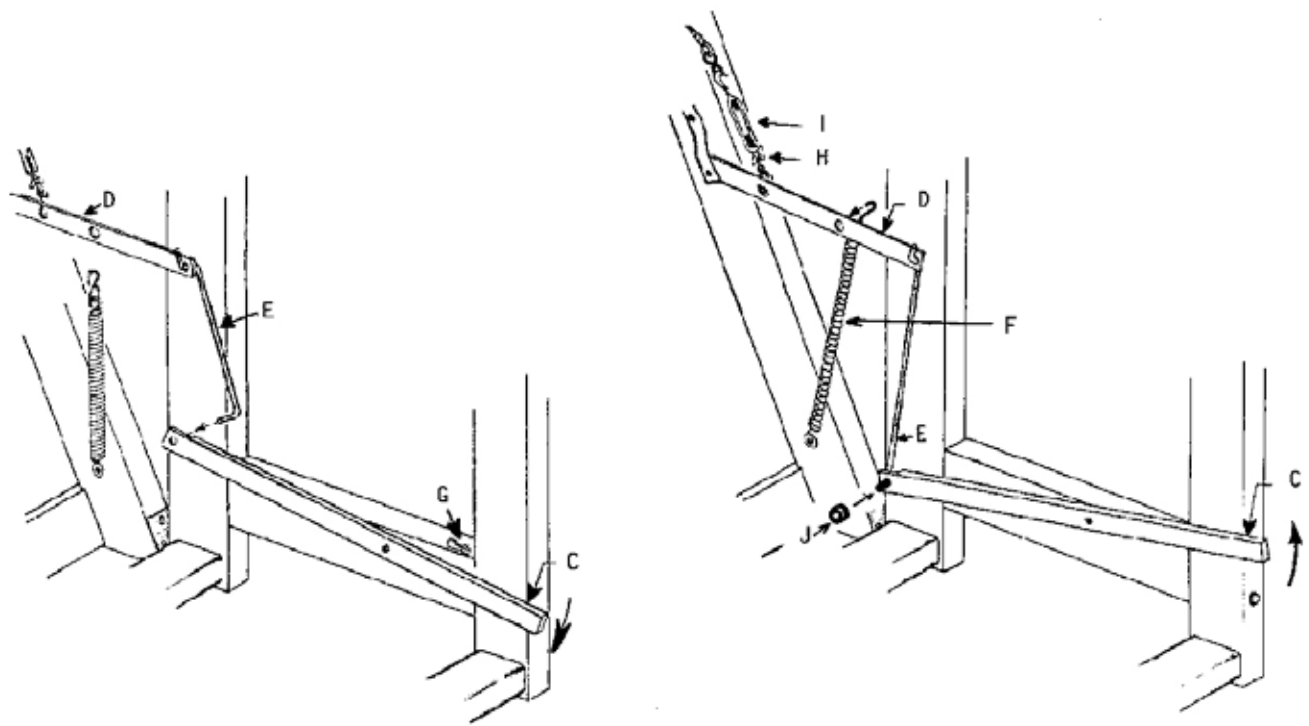


Hook turnbuckle I to flat wire circle A.

### BRAKE ADJUSTMENT:

Release the brake by depressing the brake treadle and locking it down with the catch G.

The warp beam should turn freely but the brake circle should not be too slack. If the tension is too great, unscrew the wing nut H slightly and then loosen the turnbuckle I. If the tension is too slack or the beam is turning counterclockwise (while standing on the brake side of the loom), tighten the turnbuckle I slightly and then the wing nut H.



Using metal rod E, join treadle C to lever D. First insert the double-cornered end of the metal rod into lever D; then insert the other end of the metal rod into treadle C while the treadle is depressed.

Raise treadle (back part) C as high as possible then hook spring F to lever D.

#### **BRAKE ADJUSTMENT:**

Release the brake by depressing treadle C and locking it down with the catch G.

The warp beam should turn freely but the circular brake wire should not be too slack. If the tension is too great, unscrew the wing nut H slightly and then loosen the turnbuckle I. If the tension is too slack, tighten the turnbuckle I slightly and then the wing nut H.

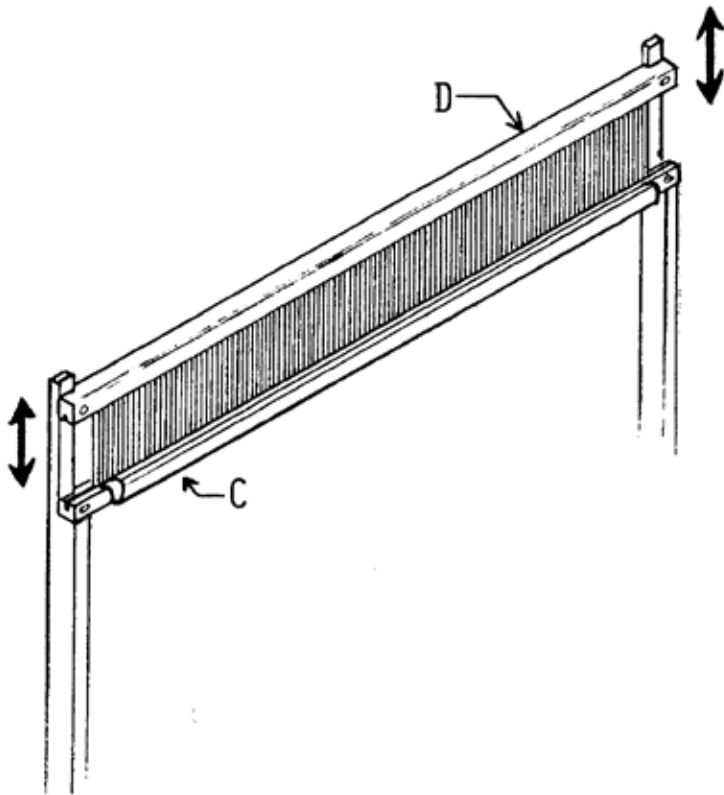
Insert the black rubber ring J to the lower end of the rod E, to prevent the rod from slipping out.

#### **BEAMING**

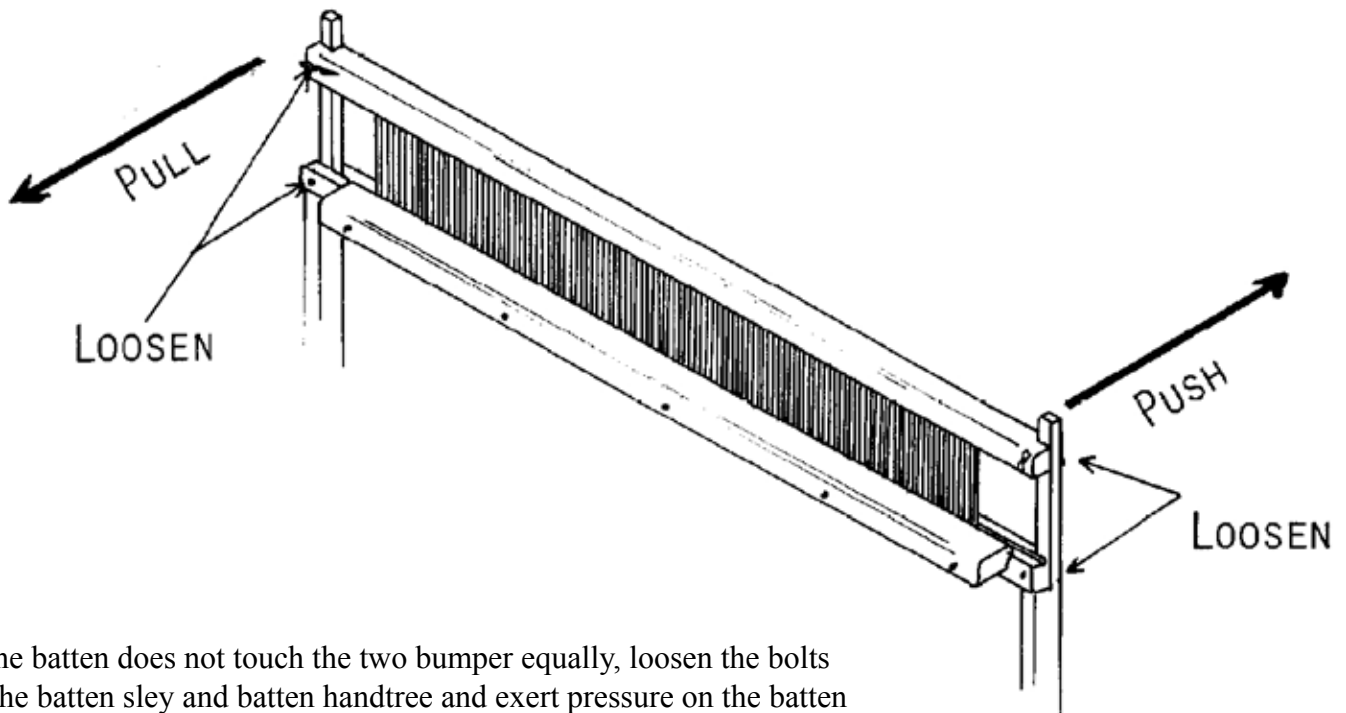
*Release the brake by depressing the brake treadle (C) and locking it down with catch (G).*

#### **WEAVING**

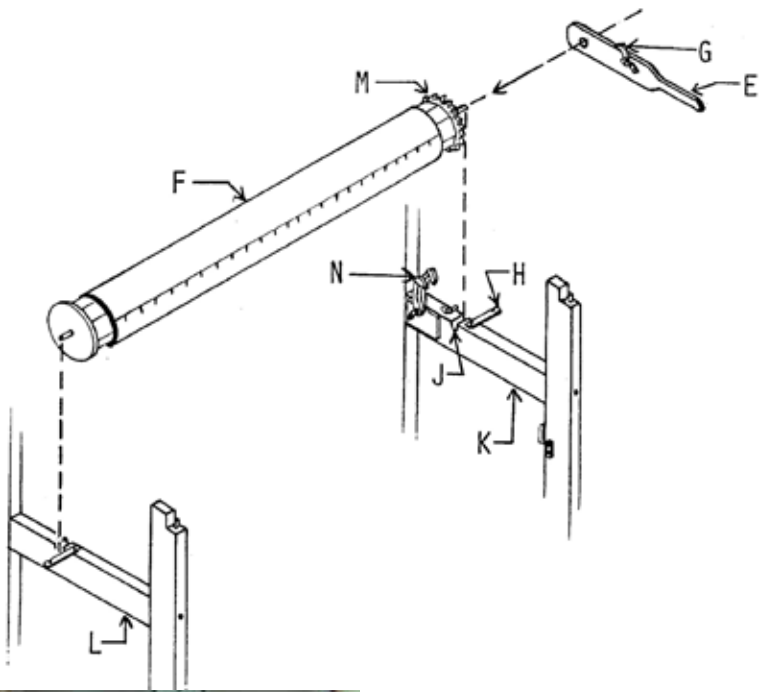
*To advance the warp, depress brake treadle (C) and turn cloth beam (H) at the same time. Then, release brake treadle (C) (engaging the brake) and advance the cloth beam until the desired tension is achieved.*



Place the reed between batten sley C and handtree D. When the wing nuts are loose, the batten handtree can slide vertically in the sword slots. The reed must then be secured between the batten sley and handtree by tightening the wing nuts. If the batten does not touch the two bumpers equally, loosen the bolts of the batten sley and handtree and exert pressure on the batten centering it in its proper place. Tighten the bolts again.



If the batten does not touch the two bumper equally, loosen the bolts of the batten sley and batten handtree and exert pressure on the batten centering it in its proper place. Tighten the bolts again while keeping pressure in the batten.



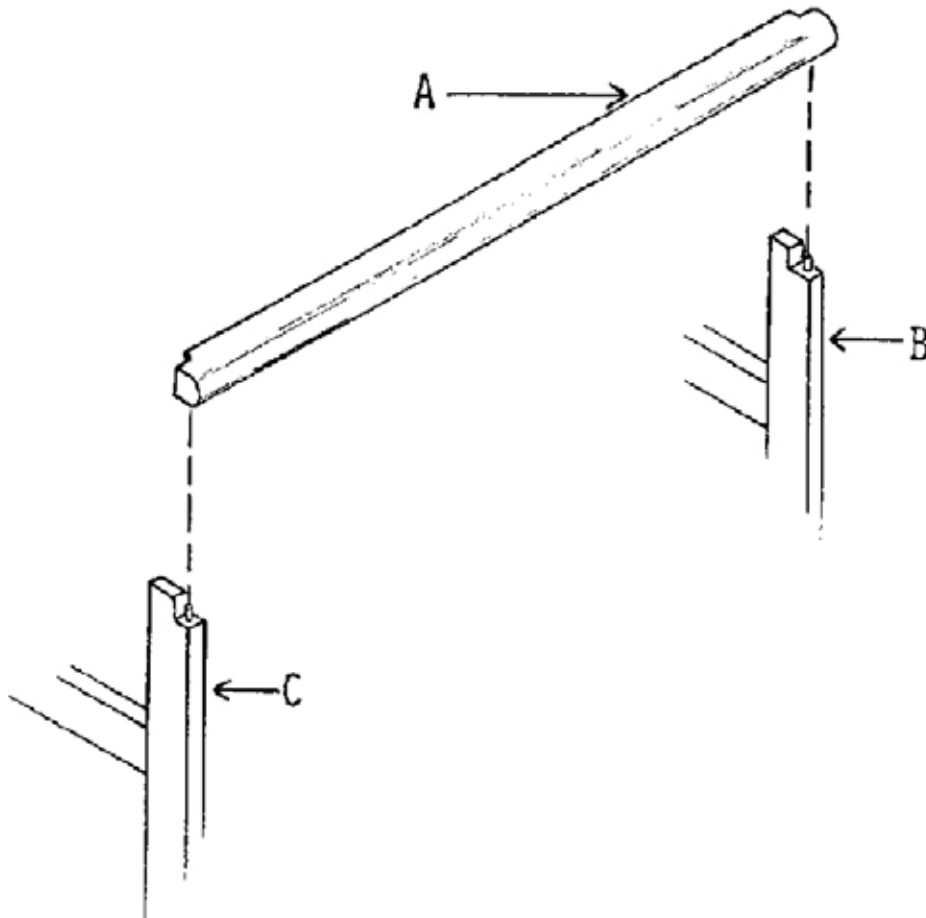
Install take-up motion handle E on the axle end of cloth beam F (on the same side as the ratchet gear). Ratchet pawl G of the take-up motion handle must be lifted up.

Open beam latches H and place the beam ends in the slots J of the upper side cross- members K and L.

Note: Ratchet gear M must be on the right-hand side and ratchet pawls N must be lifted up.



In order to improve the rotation of the cloth beam, special bushings are supplied. Make sure to leave them in place when installing the cloth beam on the loom.



Affix one of the breast beams A on the top of the front posts B and C.

Affix the other breast beam on top of the back posts.

NOTE: To avoid splitting the front posts, slightly insert the breast beam onto the metal pin. Be sure that it is in the right position before inserting it completely.

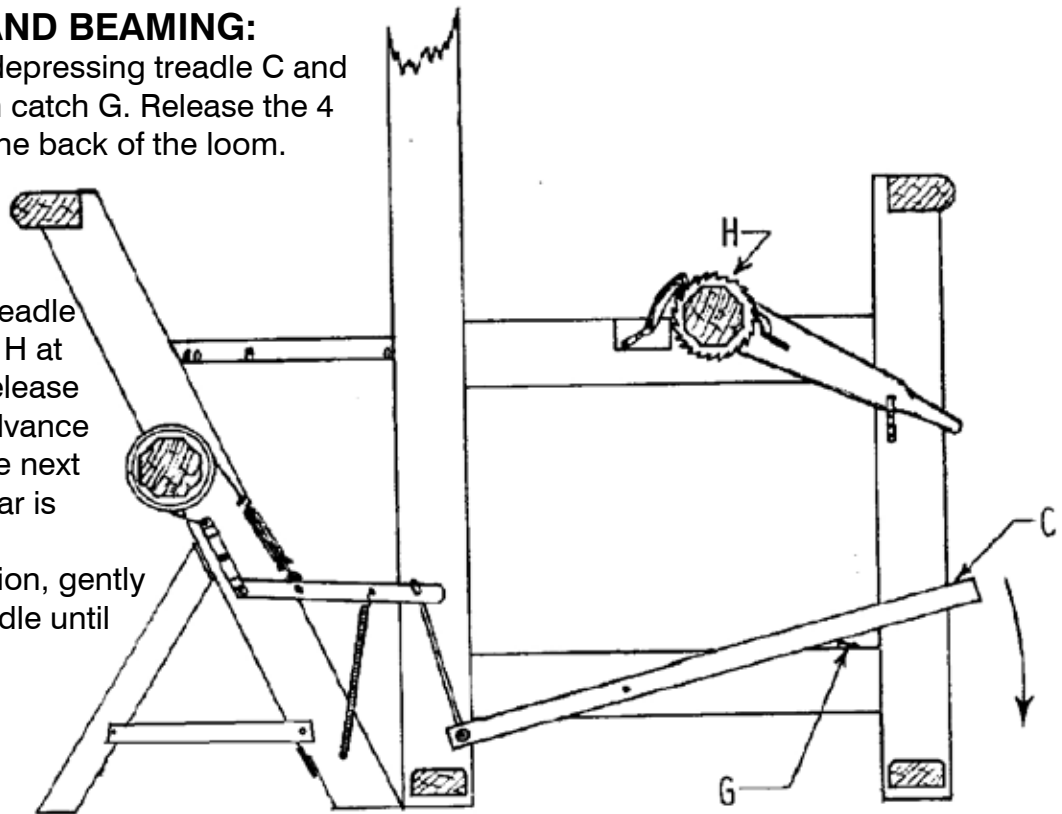
### **FOLDING LOOM AND BEAMING:**

Release the brake by depressing treadle C and by locking it down with catch G. Release the 4 metal hooks and fold the back of the loom.

### **WEAVING:**

To advance the warp, depress brake treadle C and turn cloth beam H at the same time. Then release brake treadle C and advance the cloth beam until the next notch in the ratchet gear is reached.

If this is too much tension, gently depress the brake treadle until the desired tension is obtained.



### **Note while winding a warp with a Leclerc Friction Brake**

To maintain proper adjustment and operation of your Friction Brake, it is recommended that the Brake be disengaged while winding the Warp.

On those looms designed with a Treadle or Lever Lock, the Brake should be locked open when winding.

### **MORE INFORMATION:**

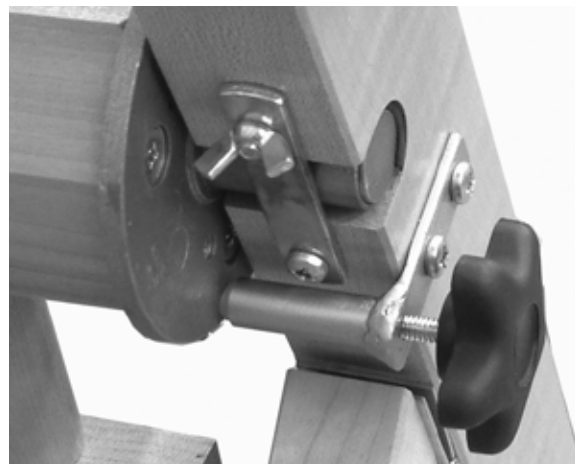
See "WARP AND WEAVE"

Install the Warp beam advance control system. This system will eliminate excessive warp yarn advance when releasing the brake system at cloth take-up.

This friction system is adjustable and have to be released when winding the warp on.

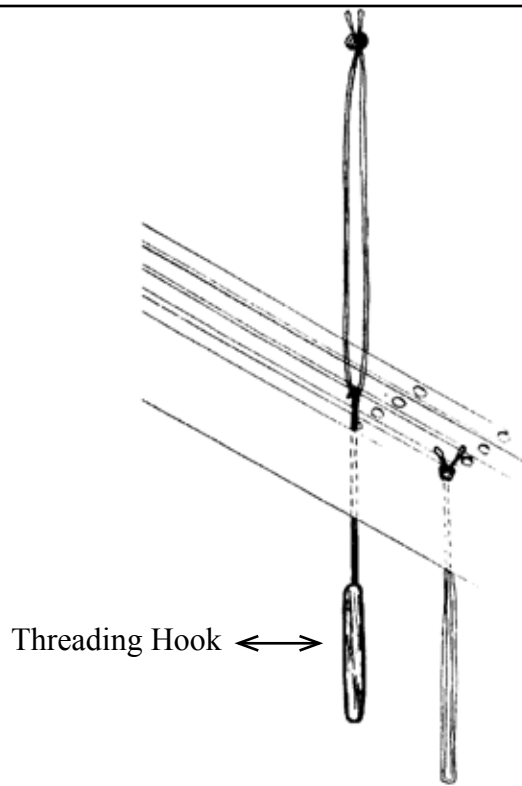
Just screw the handle in to increase the friction or unscrew it to release.

Affix it to the back left side of the loom using 2 round head screws no 12 - 1" to the pre-drill holes.

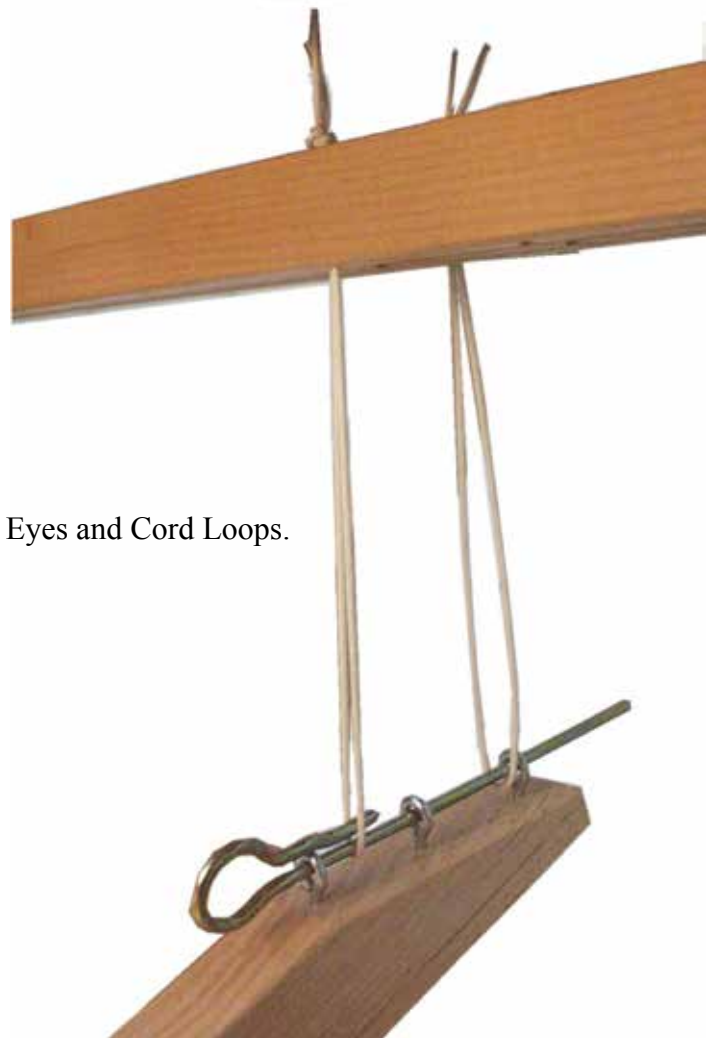


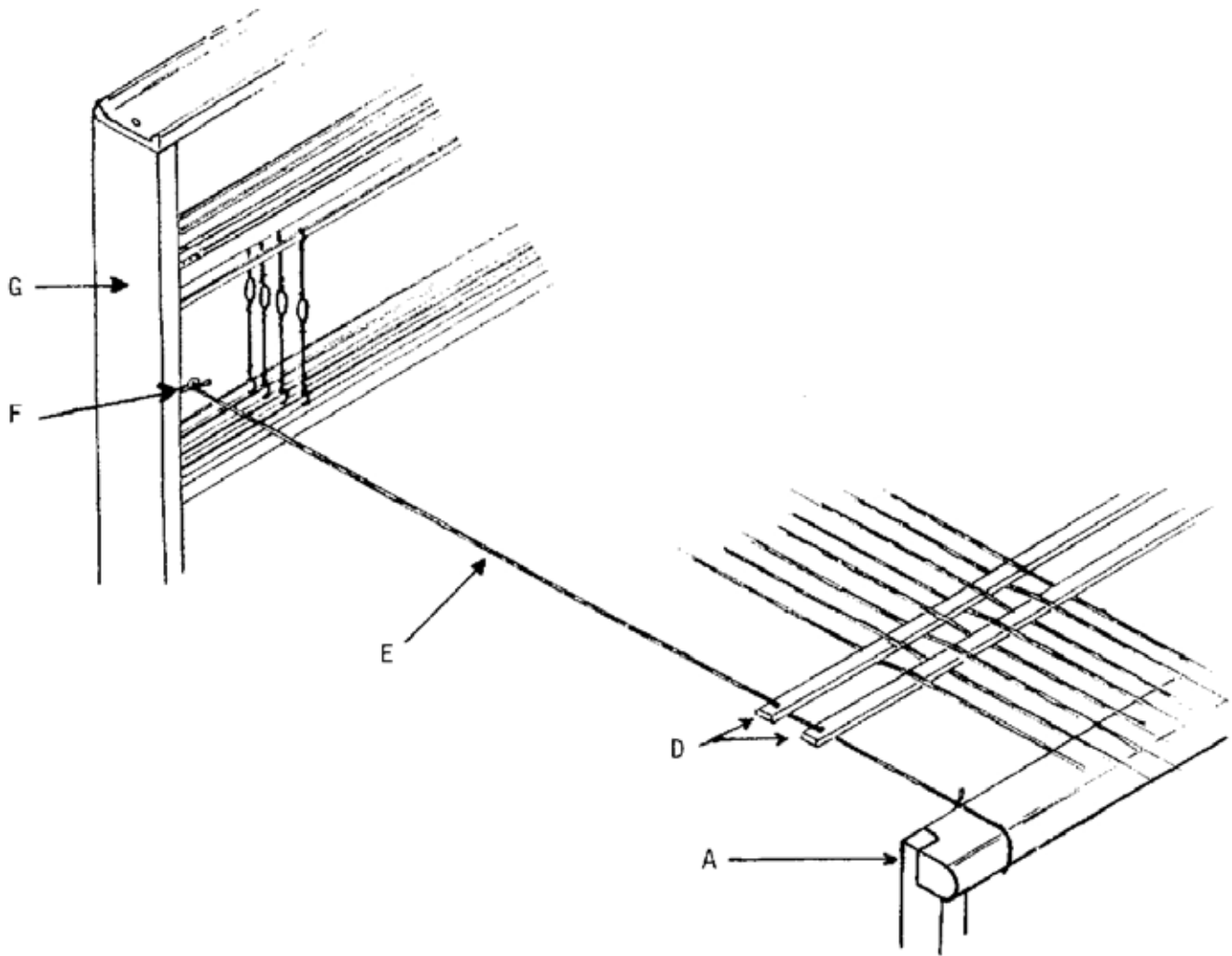
### FIRST TREADLE TIE-UP

Select any treadle and tie the Lams to the Treadles using the 7" cords supplied with the loom. Take the threading hook to help pass the cord through each hole of the lam.



Slide the Treadle Hook through the Screw Eyes and Cord Loops.





Affix screw eyes F to the holes inside middle posts G.

Pass a string C through the holes at each side of the lease sticks D and tie them to the screw eyes and to the thread beam A. The lease sticks will be held at the right height and distance for easy threading.

## FLOATING SELVEDGES ON A JACK TYPE LOOM.

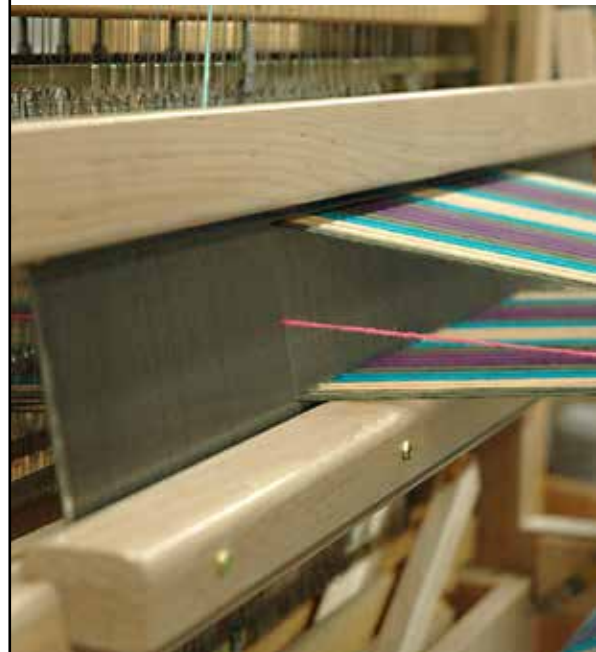
Tied a medium size cord around the top board, around the floating selvage thread and back to the top board. Adjust so the floating shed will be approximately at the center of the open shed.



CLOSE SHED



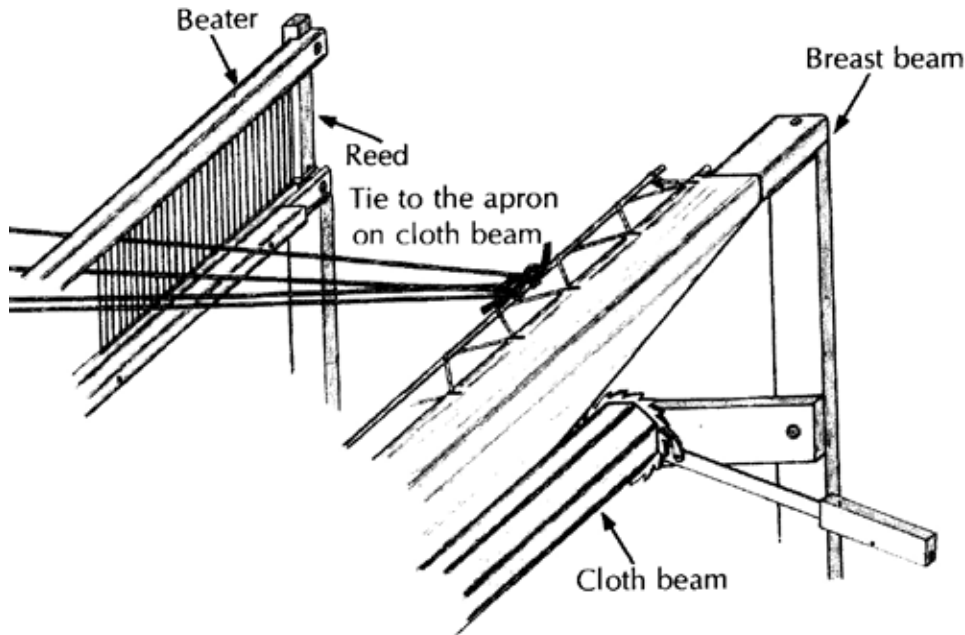
OPEN SHED





If the loom is equipped with a sectional warp beam, affix the rake-like pieces (following the instructions supplied with the sectional warp beam) and do the following instructions on the cloth beam only.

If the loom is not equipped with a sectional warp beam, affix the apron to the warp beam with tacks and do the following procedures on the warp and cloth beams.



Insert a warp rod into the apron border.

For 27", 36" and 45" loom  
(70cm, 90cm and 115cm)

For 60" loom  
(150cm)

Cut the 5 yard (4.5m) cord in half.  
Use one half of the cord to lace the apron warp rod to a second warp rod. This second warp rod will be used to attach warp threads.

Use a 5 yard (4.5m) cord to lace the apron warp rod to a second warp rod. This second warp rod will be used to attach warp threads.

**We at Leclerc encourage Weaver feedback on  
this and all our products. Please  
send your comments to Leclerc Loom Co.  
[info@leclerclooms.com](mailto:info@leclerclooms.com)**

**HAPPY WEAVING**